

# C & I

ENCLOSURES



May 2014

List Price and  
Product Catalog

C & I Enclosures is pleased to offer our latest catalog for your review. Inside you will find many of the standard products that we manufacture with pride in Bessemer, Alabama.

Ask anyone familiar with C & I about us and you will hear words like *quality, short lead times, fast response, and customer service*. Those words are not just what we do, they are who we are. Each and every one of us understands what our customers expect and does whatever it takes not only to meet those expectations but to exceed them.

Whether you need something off the shelf or a customized enclosure, please give us a call and let us earn your business. We promise you will not be disappointed!

# TABLE OF CONTENTS

---

Terms . . . . .	1
NEMA and UL Ratings . . . . .	2
Custom Enclosures . . . . .	3
Type 1 Screw Cover Boxes . . . . .	4
Type 3R Rainproof Boxes . . . . .	7
Type 12 Screw Cover Gasketed Boxes . . . . .	9
Type 1 Painted Hinged Enclosures . . . . .	11
Telephone Cabinets . . . . .	13
Type 3R Small Rainproof Hinge Cover Enclosures . . . . .	15
Type 3R Rainproof Hinge Cover Enclosures . . . . .	16
Type 1 Screw Cover Wireway . . . . .	18
Type 3R Rainproof Trough . . . . .	21
Type 12 Screw Cover Gasketed Trough . . . . .	23
Type 1 Screw Cover X Ray Duct . . . . .	25
Type 12 Painted J.I.C. Continuous Hinge Boxes . . . . .	27
Type 12 Painted Single Door Enclosures . . . . .	28
Type 12 Painted Wall Mounted Double Door Enclosures . . . . .	30
Type 12 Painted Floor Mounted Double Door Enclosures . . . . .	32
Type 12 Painted Free Standing Single Door Enclosures . . . . .	34
Type 12 Painted Free Standing Double Door Enclosures . . . . .	36
Type 4 Painted J.I.C. Continuous Hinge Boxes . . . . .	38
Type 4 Painted Single Door Enclosures . . . . .	40
Type 4 Painted Floor Mounted Double Door Enclosures . . . . .	42
Type 4 Painted Free Standing Single Door Enclosures . . . . .	44
Type 4X Stainless Steel J.I.C. Continuous Hinge Boxes . . . . .	45
Type 4X Stainless Steel Single Door Enclosures . . . . .	47
Type 4X Stainless Steel Floor Mounted Double Door Enclosures . . . . .	49
Type 4X Stainless Steel Feed-Through Wireway . . . . .	51
Type 12 Painted Feed-Through Wireway . . . . .	53
Type 12 Painted Hinge Cover Wiring Trough . . . . .	55
Type 12 Pushbutton Enclosures . . . . .	57
Type 12 Extra Large Hinge Cover Pushbutton Enclosure . . . . .	58
Type 12 Slim-Line Pushbutton Enclosures . . . . .	59
Oiltight Hole Seals . . . . .	60
Accessories . . . . .	61
Locks and Handles . . . . .	62
Panels for Type 3R, 4, 4X and 12 Enclosures . . . . .	63
Utility Enclosures . . . . .	65

## **TERMS**

May 1, 2014

**PAYMENT TERMS:** Net 30 Days

**MINIMUM BILLING:** \$50.00 net plus freight charges.

**FREIGHT TERMS:** All shipments are made FOB factory or warehouse. For prepaid and allowed amounts please contact the factory or your local C&I representative.

**QUOTATIONS:** All quotations will automatically expire 30 days after the date quoted unless specifically authorized in writing.

**ORDER CANCELLATIONS:** Orders placed with C & I may be cancelled only with our express approval and will be subject to terms protecting C & I from loss.

**DAMAGE CLAIMS:** All orders are shipped FOB shipping point. Any damage claims must be filed with the carrier by the customer. C & I will assist the customer in resolution of any claims.


**PRODUCT RETURNS:** All returns are by written authorization only. Only stock items invoiced within the last 6 months may be returned. Upon receipt and inspection a credit memo will be issued for the original price minus a minimum 20% restocking charge. Large quantities may require additional charges. Specially manufactured products are not returnable under any circumstances.

**WARRANTIES AND LIABILITY:** C & I warrants manufactured products to be free from defects in workmanship for a period of 1 year from the date of purchase. C & I liability is limited to the repair or replacement of defective product and under no circumstances will C & I be held liable for any amount beyond the price of the product.

## NEMA and UL Ratings

NEMA and UL are standard writing organizations commonly recognized in North America. Their ratings are based on similar application descriptions and expected performance. UL requires enclosure testing by qualified evaluators. They also send site inspectors to make sure a manufacturer adheres to prescribed manufacturing methods and material specifications. NEMA, on the other hand, does not require independent testing and leaves compliance completely up to the manufacturer.

### Enclosure Types, Non-Hazardous Location

Enclosure Rating	<b>NEMA</b> National Electrical Manufacturers Association (NEMA Standard 250) and Electrical and Electronic Mfg. Association of Canada (EEMAC).	 Underwriters Laboratories Inc. (UL 50 and UL 508)
<b>Type 1</b>	Enclosures are intended for indoor use primarily to provide a degree of protection against contact with the enclosed equipment or locations where unusual service conditions do not exist.	Indoor use primarily to provide protection against contact with the enclosed equipment and against a limited amount of falling dirt.
<b>Type 3</b>	Enclosures are intended for outdoor use primarily to provide a degree of protection against windblown dust, rain, and sleet; undamaged by the formation of ice on the enclosure.	Outdoor use to provide a degree of protection against windblown dust and windblown rain; undamaged by the formation of ice on the enclosure.
<b>Type 3R</b>	Enclosures are intended for outdoor use primarily to provide a degree of protection against falling rain and sleet; undamaged by the formation of ice on the enclosure.	Outdoor use to provide a degree of protection against falling rain; undamaged by the formation of ice on the enclosure.
<b>Type 4</b>	Enclosures are intended for indoor or outdoor use primarily to provide a degree of protection against windblown dust and rain, splashing water, and hose directed water; undamaged by the formation of ice on the enclosure.	Either indoor or outdoor use to provide a degree of protection against falling rain, splashing water, and hose-directed water; undamaged by the formation of ice on the enclosure.
<b>Type 4X</b>	Enclosures are intended for indoor or outdoor use primarily to provide a degree of protection against corrosion, windblown dust and rain, splashing water, and hose-directed water; undamaged by the formation of ice on the enclosure.	Either indoor or outdoor use to provide a degree of protection against falling rain, splashing water, and hose-directed water; undamaged by the formation of ice on the enclosure; resists corrosion.
<b>Type 12</b>	Enclosures are intended for indoor use primarily to provide a degree of protection against dust, falling dirt, and dripping noncorrosive liquids.	Indoor use to provide a degree of protection against dust, dirt, fiber flyings, dripping water, and external condensation of noncorrosive liquids.

*This material is reproduced with permission from NEMA. The preceding descriptions, however, are not intended to be complete representations of National Electrical Manufacturers Association standards for enclosures nor those of the Electrical and Electronic Manufacturers Association of Canada.*

*This material is reproduced with permission from Underwriters Laboratories Inc. Enclosures for Electrical Equipment, UL 50, Copyright 1999 and Industrial Control Equipment, UL 508, Copyright 2001 by Underwriters Laboratories Inc.*

*Underwriters Laboratories Inc. (UL) shall not be responsible for the use of or reliance upon a UL Standard by anyone. UL shall not incur any obligation or liability for damages, including consequential damages, arising out of or connection with the use, interpretation of, or reliance upon a UL Standard.*

## CUSTOM ENCLOSURES

---



Let us customize it! We specialize in building enclosures to your drawing or sketch. Even with customization our lead times are among the shortest in the industry. Our sales representatives have years of experience working with our customers to design and build custom enclosures.

### **CUSTOM FEATURES INCLUDE:**

- cutouts
- windows
- knockouts
- louvers
- pushbutton holes
- custom holes
- special shapes
- custom paint

***Call us today. We look forward to working with you.***

## TYPE 1 SCREW COVER BOXES



**Construction:** C & I Enclosures Type 1 Screw Cover and Hinge Cover Boxes are fabricated in accordance with U.L. specifications from code gauge steel. Boxes are furnished standard without knockouts to allow the user to punch holes only where needed. Knockouts are available upon request. Hinge cover boxes are provided with hinges on one side and screws on the other.

**Finish:** C & I Enclosures Type 1 Screw Cover and Hinge Cover Boxes are available in G-90U galvanized steel or an ANSI 61 gray polyester powdercoating inside and out over paint grip galvanized steel.

### Suffix Definitions:

**SC** - Screw Cover

**SCP** - Screw Cover Painted - Add 5%

**SCKO** - Screw Cover w/Knock Outs

**SCPKO** - Screw Cover Painted w/Knock Outs - Add 5%

**HC** - Hinge Cover - Add 5%

**HCP** - Hinge Cover Painted - Add 10%

**HCKO** - Hinge Cover w/Knock Outs - Add 5%

**HCPKO** - Hinge Cover Painted w/Knock Outs - Add 10%

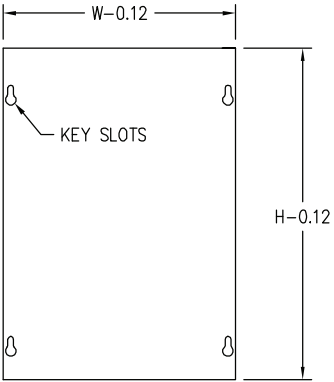
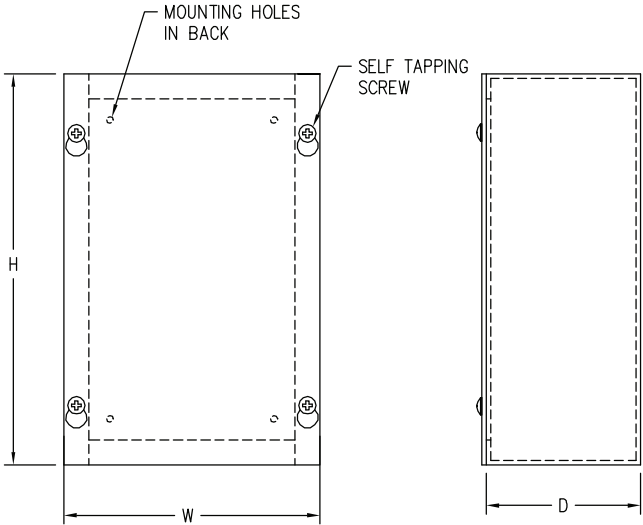
Enclosure Size HxWxD	Catalog Number	Weight	List Price
4x4x4	C-444SC	2	\$7.30
6x4x4	C-644SC	2	\$7.64
6x6x4	C-664SC	3	\$8.31
8x6x4	C-864SC	4	\$9.74
8x8x4	C-884SC	5	\$11.75
10x6x4	C-1064SC	5	\$10.68
10x8x4	C-1084SC	5	\$14.12
10x10x4	C-10104SC	7	\$16.14
12x6x4	C-1264SC	6	\$12.82
12x8x4	C-1284SC	6	\$16.69
12x10x4	C-12104SC	7	\$19.35
12x12x4	C-12124SC	9	\$19.58
18x12x4	C-18124SC	13	\$27.89
18x15x4	C-18154SC	16	\$33.15
18x18x4	C-18184SC	17	\$42.25
24x12x4	C-24124SC	15	\$39.16
24x18x4	C-24184SC	23	\$71.79
24x24x4	C-24244SC	35	\$77.94
30x24x4	C-30244SC	43	\$104.66
36x24x4	C-36244SC	51	\$125.08
6x6x6	C-666SC	4	\$10.56
8x6x6	C-866SC	5	\$15.90
8x8x6	C-886SC	6	\$14.65
10x8x6	C-1086SC	7	\$16.62
10x10x6	C-10106SC	9	\$18.87
12x8x6	C-1286SC	9	\$21.71
12x10x6	C-12106SC	10	\$24.09
12x12x6	C-12126SC	11	\$24.21
15x15x6	C-15156SC	16	\$32.52
18x12x6	C-18126SC	16	\$32.52
18x15x6	C-18156SC	17	\$35.61
18x18x6	C-18186SC	20	\$43.43
24x12x6	C-24126SC	21	\$52.21
24x18x6	C-24186SC	26	\$66.45
24x24x6	C-24246SC	39	\$84.03
30x24x6	C-30246SC	48	\$103.84
30x30x6	C-30306SC	67	\$178.90
36x24x6	C-36246SC	56	\$134.57
36x30x6	C-36306SC	94	\$225.81
36x36x6	C-36366SC	110	\$241.49
48x24x6	C-48246SC	101	\$175.39
48x36x6	C-48366SC	128	\$279.47
48x48x6	C-48486SC	195	\$448.50

## TYPE 1 SCREW COVER BOXES

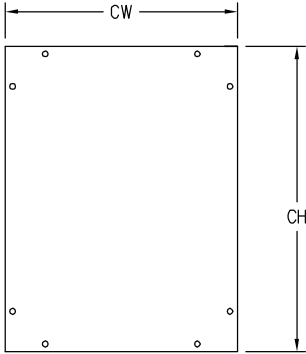
Enclosure Size HxWxD	Catalog Number	Weight	List Price
8x8x8	C-888SC	7	\$19.06
10x10x8	C-10108SC	10	\$25.08
12x12x8	C-12128SC	12	\$29.98
18x12x8	C-18128SC	17	\$48.78
18x15x8	C-18158SC	20	\$54.24
18x18x8	C-18188SC	23	\$56.62
24x12x8	C-24128SC	23	\$61.68
24x18x8	C-24188SC	29	\$70.82
24x24x8	C-24248SC	42	\$104.28
30x24x8	C-30248SC	51	\$124.30
30x30x8	C-30308SC	62	\$202.58
36x24x8	C-36248SC	60	\$151.16
36x30x8	C-36308SC	102	\$260.42
36x36x8	C-36368SC	119	\$290.90
48x24x8	C-48248SC	110	\$192.42
48x36x8	C-48368SC	159	\$340.00
48x48x8	C-48488SC	199	\$457.70
12x12x10	C-121210SC	14	\$36.02
18x12x10	C-181210SC	19	\$50.50
18x18x10	C-181810SC	25	\$67.30
24x18x10	C-241810SC	31	\$86.22
24x24x10	C-242410SC	48	\$120.00
30x24x10	C-302410SC	56	\$138.02
30x30x10	C-303010SC	69	\$223.28
36x24x10	C-362410SC	67	\$175.52
36x30x10	C-363010SC	111	\$282.06
36x36x10	C-363610SC	128	\$316.60
48x36x10	C-483610SC	171	\$362.30
48x48x10	C-484810SC	208	\$478.41
12x12x12	C-121212SC	16	\$44.06
18x12x12	C-181212SC	21	\$59.52
18x18x12	C-181812SC	28	\$79.28
24x12x12	C-241212SC	27	\$72.36
24x18x12	C-241812SC	34	\$128.30
24x24x12	C-242412SC	53	\$140.62
30x30x12	C-303012SC	78	\$262.36
36x24x12	C-362412SC	70	\$187.08
36x36x12	C-363612SC	137	\$336.08
48x36x12	C-483612SC	179	\$384.56
48x48x12	C-484812SC	215	\$494.50



# TYPE 1 SCREW COVER BOXES



COVER STYLE 1  
W ≤ 24



COVER STYLE 2  
W > 24

COMPLETE DETAILS AVAILABLE ON OUR WEB SITE

## TYPE 3R RAINPROOF BOXES



**Construction:** C & I Enclosures Type 3R Rainproof Boxes are fabricated in accordance with U.L. specifications from code gauge material. A dripshield along the top protects from falling rain, snow, or sleet. A slide-on cover is attached by screws along the bottom edge of the box.

**Finish:** C & I Enclosures Type 3R Rainproof Boxes are available in G-90U galvanized steel, or an ANSI 61 gray polyester powdercoating inside and out over paint grip galvanized steel.

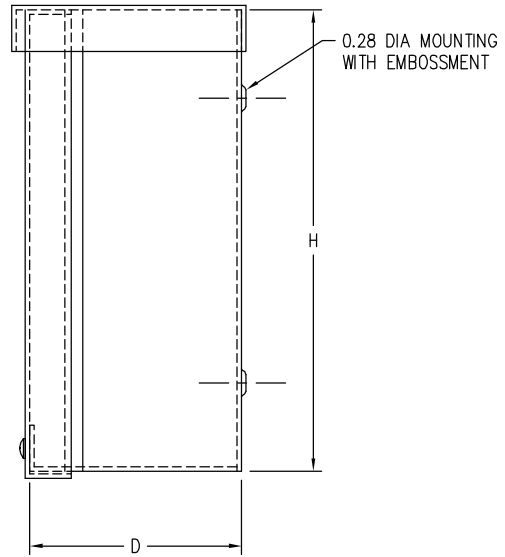
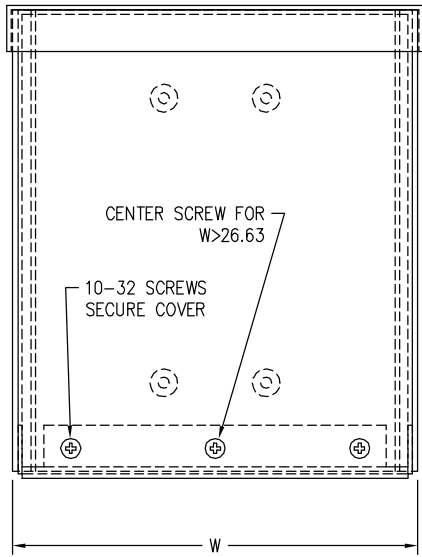
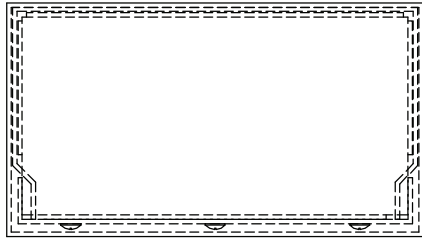
**Suffix Definitions:**

**RB** - Galvanized Rainproof Box

**RBP** - Painted Rainproof Box – Add 5%

Enclosure Size HxWxD	Catalog Number	Weight	List Price
6x6x4	C-664RB	4	\$14.54
8x6x4	C-864RB	4	\$16.52
8x8x4	C-884RB	5	\$19.58
10x8x4	C-1084RB	6	\$24.42
10x10x4	C-10104RB	7	\$26.02
12x8x4	C-1284RB	7	\$29.16
12x12x4	C-12124RB	10	\$31.68
6x6x6	C-666RB	4	\$19.30
8x8x6	C-886RB	6	\$24.02
10x8x6	C-1086RB	8	\$27.30
10x10x6	C-10106RB	9	\$29.98
12x10x6	C-12106RB	11	\$36.00
12x12x6	C-12126RB	12	\$37.78
15x12x6	C-15126RB	13	\$52.00
18x12x6	C-18126RB	16	\$55.04
18x15x6	C-18156RB	19	\$68.24
18x18x6	C-18186RB	21	\$81.70
24x18x6	C-24186RB	33	\$103.24
24x24x6	C-24246RB	40	\$122.64
12x12x8	C-12128RB	13	\$46.24
18x15x8	C-18158RB	20	\$90.62
18x18x8	C-18188RB	23	\$101.74
24x18x8	C-24188RB	35	\$113.80
24x24x8	C-24248RB	44	\$138.98
30x24x8	C-30248RB	56	\$182.42
24x24x10	C-242410RB	48	\$176.02
18x18x12	C-181812RB	37	\$122.02
24x18x12	C-241812RB	48	\$152.00
24x24x12	C-242412RB	56	\$182.00
36x24x12	C-362412RB	72	\$277.12
36x30x12	C-363012RB	101	\$334.50
36x36x12	C-363612RB	183	\$418.24

# TYPE 3R RAINPROOF BOXES



COMPLETE DETAILS AVAILABLE ON OUR WEB SITE

## TYPE 12 SCREW COVER GASKETED BOXES



**Construction:** C & I Enclosures Type 12 Screw Cover Gasketed Boxes are fabricated in accordance with U.L. specifications from code gauge material. All seams are continuously welded and ground smooth. An oil resistant gasket is attached to the cover to prevent moisture or dust from entering the box.

**Finish:** C & I Enclosures Type 12 Screw Cover Gasketed Boxes are available in G-90U galvanized steel, Type 5052 H-32 aluminum, an ANSI 61 gray polyester powdercoating inside and out over paint grip galvanized steel, or Type 304 stainless steel.

**For Type 3 Screw Cover Gasketed Box Call Factory For Pricing.**

### Suffix Definitions:

**SCG** - Galvanized Screw Cover Gasketed

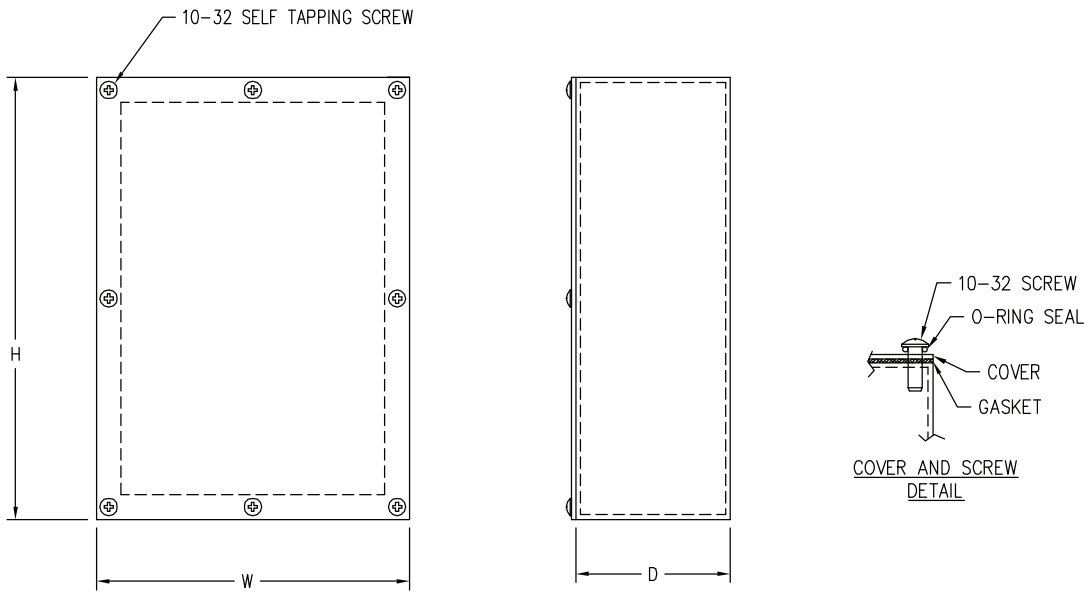
**SCGP** - Painted Screw Cover Gasketed - Add 5%

**SCGA** - Aluminum Screw Cover Gasketed - Call Factory

**SCGS** - Stainless Steel Screw Cover Gasketed - Call Factory

Enclosure Size HxWxD	Catalog Number	Weight	List Price
4x4x4	C-444SCG	2	\$25.62
6x6x4	C-664SCG	2	\$31.96
8x6x4	C-864SCG	3	\$36.02
8x8x4	C-884SCG	4	\$37.90
10x8x4	C-1084SCG	5	\$44.12
10x10x4	C-10104SCG	7	\$46.90
12x10x4	C-12104SCG	7	\$49.78
12x12x4	C-12124SCG	9	\$52.30
6x6x6	C-666SCG	4	\$42.00
8x8x6	C-886SCG	6	\$46.24
10x10x6	C-10106SCG	9	\$58.62
12x12x6	C-12126SCG	11	\$64.58
15x12x6	C-15126SCG	13	\$75.56
15x15x6	C-15156SCG	16	\$79.92
18x18x6	C-18186SCG	20	\$99.82
24x18x6	C-24186SCG	26	\$121.26
24x24x6	C-24246SCG	39	\$150.30
8x8x8	C-888SCG	7	\$53.52
12x12x8	C-12128SCG	12	\$78.42
18x18x8	C-18188SCG	23	\$116.80
24x24x8	C-24248SCG	42	\$165.02
30x24x8	C-30248SCG	51	\$205.40
30x30x8	C-30308SCG	88	\$244.42
36x24x8	C-36248SCG	60	\$231.42
36x30x8	C-36308SCG	102	\$328.52
18x18x10	C-181810SCG	25	\$167.02
24x24x10	C-242410SCG	48	\$224.52
30x24x10	C-302410SCG	56	\$239.96
30x30x10	C-303010SCG	96	\$258.24
36x24x10	C-362410SCG	67	\$256.46
36x30x10	C-363010SCG	111	\$360.00
18x18x12	C-181812SCG	28	\$177.02
24x24x12	C-242412SCG	53	\$242.60
30x30x12	C-303012SCG	103	\$291.20
36x36x12	C-363612SCG	137	\$423.54

# TYPE 12 SCREW COVER GASKETED BOXES



COMPLETE DETAILS AVAILABLE ON OUR WEB SITE

## TYPE 1 PAINTED HINGED ENCLOSURES



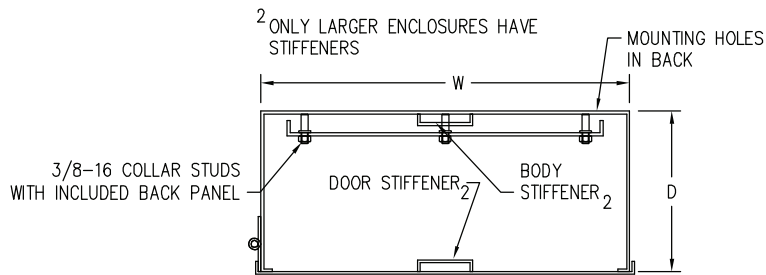
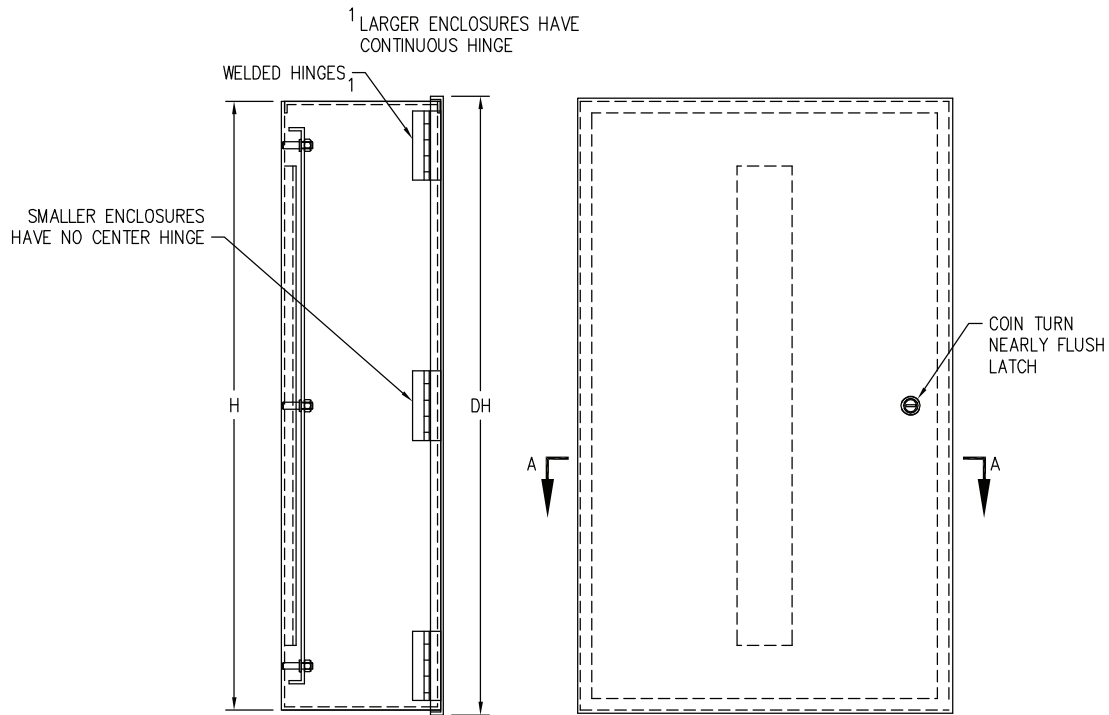
**Construction:** C & I Enclosures Type 1 Painted Hinged Enclosures are fabricated in accordance with U.L. specifications from code gauge steel. The enclosures are provided with butt hinges and a nearly flush non-locking quarter turn latch to hold the door securely closed. The enclosures are furnished with a removable painted back panel.

**Finish:** C & I Enclosures Type 1 Painted Hinged Enclosures are provided with an ANSI 61 gray polyester powdercoating inside and out over paint grip galvanized steel.

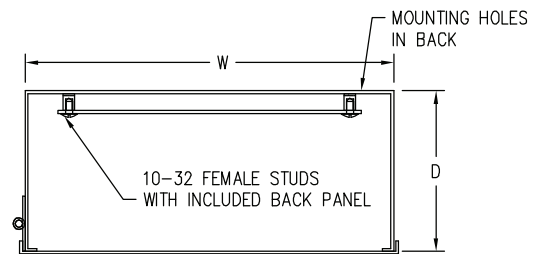
**Note:** For nearly flush keylocking latch, add "L" to suffix (T1L) and add \$26.00 to list price.

Enclosure Size HxWxD	Catalog Number	Weight	List Price
10x8x6.62	C-1086T1	9	\$51.34
10x10x6.62	C-10106T1	10	\$59.69
12x10x6.62	C-12106T1	12	\$63.08
12x12x6.62	C-12126T1	15	\$67.02
14x12x6.62	C-14126T1	16	\$76.84
16x12x6.62	C-16126T1	21	\$136.62
16x16x6.62	C-16166T1	27	\$154.64
20x16x6.62	C-20166T1	31	\$168.62
20x20x6.62	C-20206T1	36	\$190.72
24x16x6.62	C-24166T1	37	\$188.76
24x20x6.62	C-24206T1	43	\$212.22
24x24x6.62	C-24246T1	56	\$238.38
30x24x6.62	C-30246T1	67	\$270.86
36x24x6.62	C-36246T1	78	\$314.00
36x30x6.62	C-36306T1	98	\$353.08
12x12x8.62	C-12128T1	15	\$78.02
14x12x8.62	C-14128T1	16	\$83.36
16x12x8.62	C-16128T1	23	\$148.22
20x16x8.62	C-20168T1	35	\$185.56
20x20x8.62	C-20208T1	40	\$206.80
24x20x8.62	C-24208T1	48	\$232.42
24x24x8.62	C-24248T1	58	\$262.20
30x24x8.62	C-30248T1	74	\$293.64
30x30x8.62	C-30308T1	80	\$316.96
36x24x8.62	C-36248T1	81	\$331.50
36x30x8.62	C-36308T1	104	\$392.42
42x24x8.62	C-42248T1	95	\$348.86
24x20x10.62	C-242010T1	53	\$253.48
30x24x10.62	C-302410T1	81	\$309.18
36x30x10.62	C-363010T1	115	\$414.14
24x24x12.62	C-242412T1	69	\$295.66
30x24x12.62	C-302412T1	88	\$319.32
36x30x12.62	C-363012T1	123	\$435.86

# TYPE 1 PAINTED HINGED ENCLOSURES



SECTION A-A  
LARGE BODY STYLE



SECTION A-A  
SMALL BODY STYLE

COMPLETE DETAILS AVAILABLE ON OUR WEB SITE

## TELEPHONE CABINETS



**Construction:** C & I Enclosures Type 1 Telephone Cabinets are fabricated in accordance with U.L. specifications from code gauge material. Telephone Cabinets are provided standard with a nearly-flush keylocking latch, continuous hinge, and removable trim.

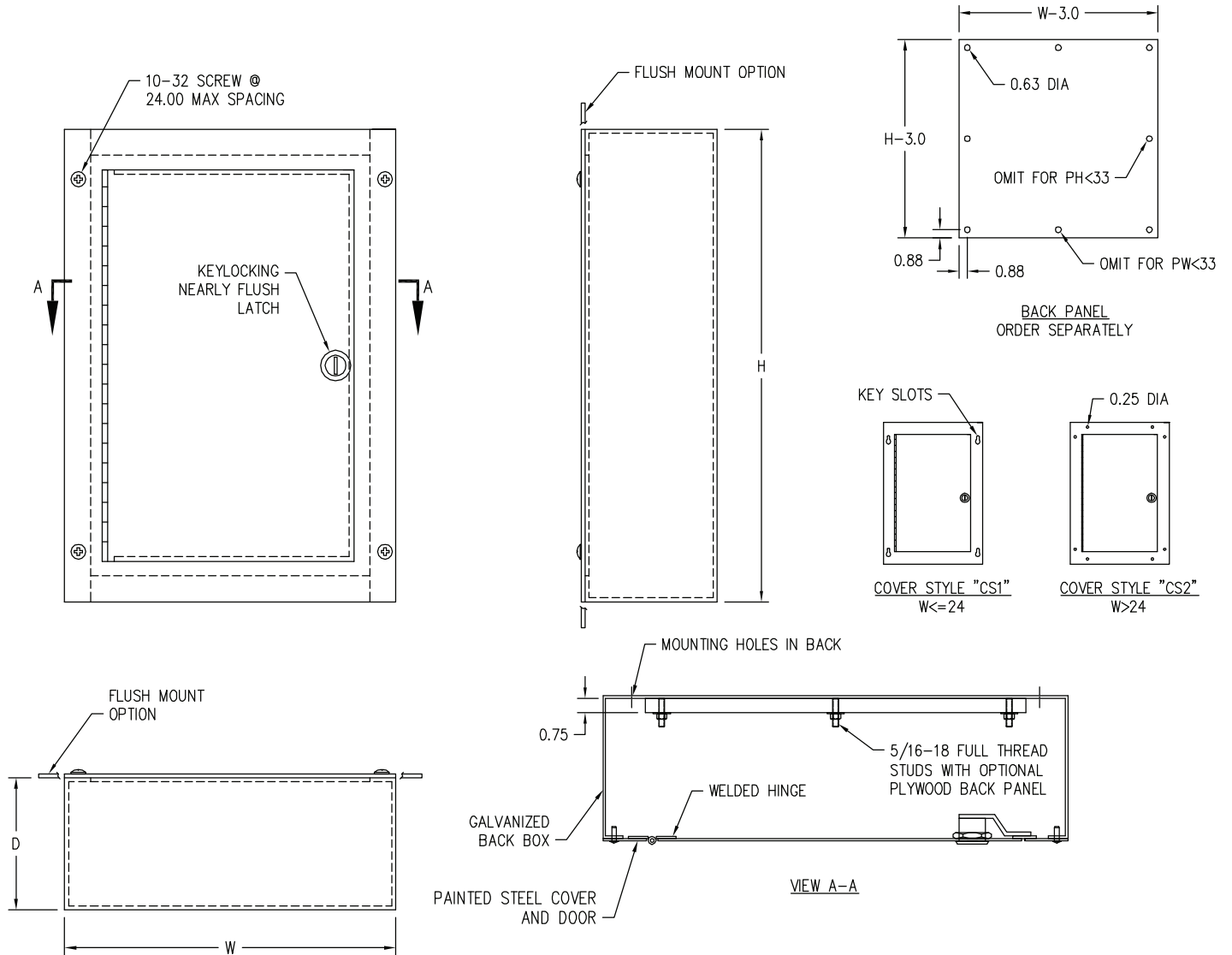
**Finish:** C & I Enclosures Type 1 Telephone Cabinets are provided standard with an ANSI 61 gray polyester powdercoating trim and cover mounted to a Galvanized body

**Note:** For Flush Cover add "F" to suffix.

Enclosure Size HxWxD	Catalog Number	Weight	List Price	Plywood Panel	List Price
12x12x4	C-12124T	11	\$71.06	CI-1212PW	\$18.35
16x12x4	C-16124T	12	\$85.36	CI-1612PW	\$22.59
18x12x4	C-18124T	17	\$102.00	CI-1812PW	\$25.50
18x18x4	C-18184T	20	\$139.14	CI-1818PW	\$36.72
24x12x4	C-24124T	22	\$119.78	CI-2412PW	\$27.02
24x18x4	C-24184T	27	\$182.50	CI-2418PW	\$44.22
24x24x4	C-24244T	31	\$236.70	CI-2424PW	\$57.76
30x18x4	C-30184T	36	\$230.40	CI-3018PW	\$48.86
30x24x4	C-30244T	38	\$287.34	CI-3024PW	\$64.39
30x30x4	C-30304T	57	\$331.68	CI-3030PW	\$89.38
36x24x4	C-36244T	61	\$330.64	CI-3624PW	\$76.48
36x30x4	C-36304T	69	\$422.10	CI-3630PW	\$101.64
48x30x4	C-48304T	100	\$563.14	CI-4830PW	\$123.54
16x12x6	C-16126T	13	\$101.20	CI-1612PW	\$22.59
18x12x6	C-18126T	18	\$116.30	CI-1812PW	\$25.50
18x18x6	C-18186T	23	\$153.96	CI-1818PW	\$36.72
24x12x6	C-24126T	22	\$147.90	CI-2412PW	\$27.02
24x18x6	C-24186T	31	\$200.00	CI-2418PW	\$44.22
24x24x6	C-24246T	35	\$245.74	CI-2424PW	\$57.76
30x18x6	C-30186T	37	\$232.86	CI-3018PW	\$48.86
30x24x6	C-30246T	42	\$330.84	CI-3024PW	\$64.39
30x30x6	C-30306T	59	\$353.02	CI-3030PW	\$89.38
36x24x6	C-36246T	58	\$338.84	CI-3624PW	\$76.48
36x30x6	C-36306T	77	\$439.16	CI-3630PW	\$101.64
48x30x6	C-48306T	126	\$608.70	CI-4830PW	\$123.54
48x36x6	C-48366T	148	\$750.00	CI-4836PW	\$153.81

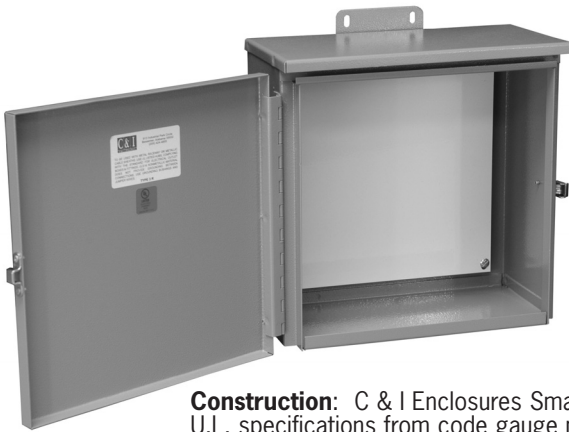


# TELEPHONE CABINETS



COMPLETE DETAILS AVAILABLE ON OUR WEB SITE

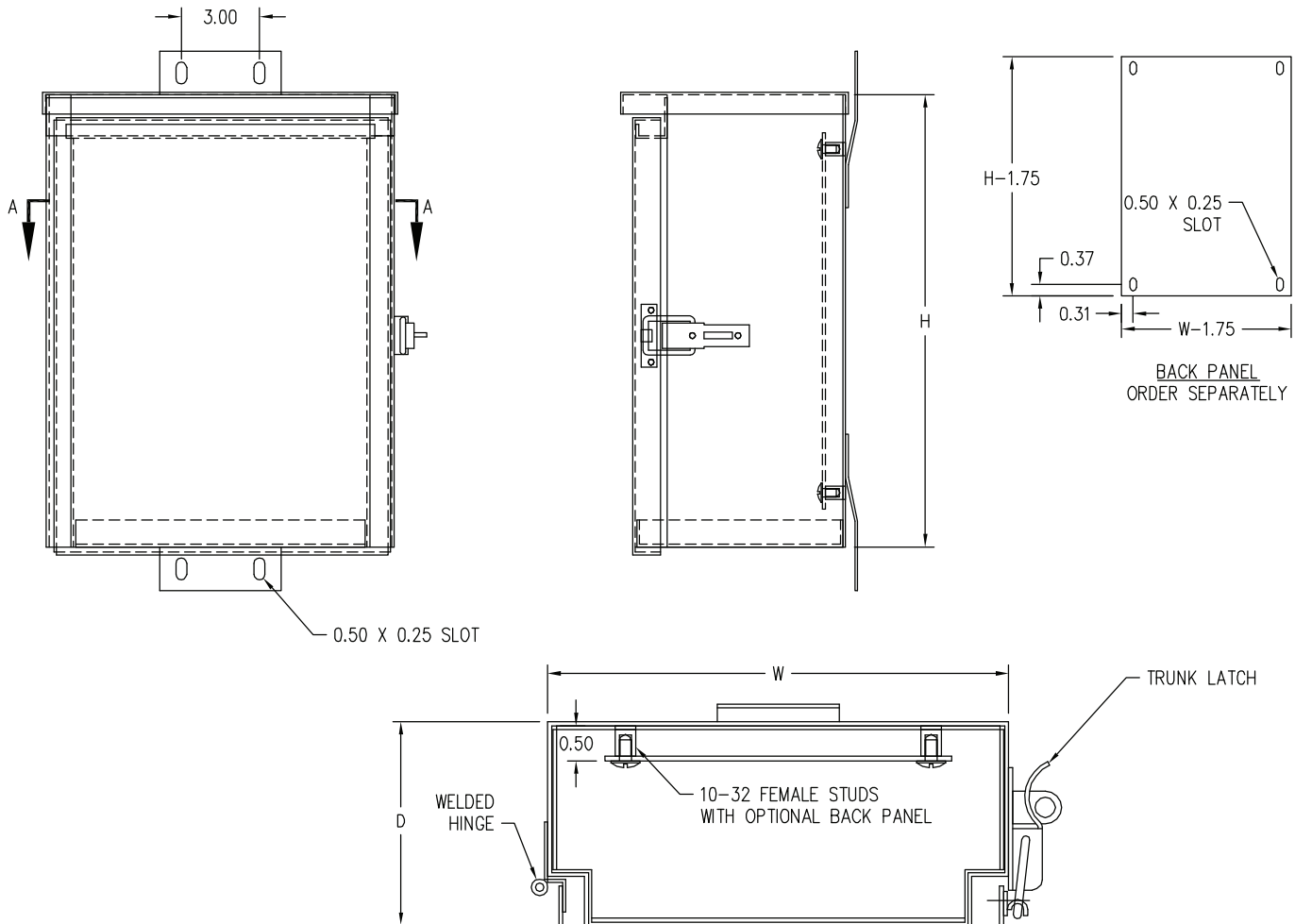
# TYPE 3R SMALL RAINPROOF HINGE COVER ENCLOSURES



**Construction:** C & I Enclosures Small Type 3R Rainproof Hinge Cover Enclosures are fabricated in accordance with U.L. specifications from code gauge material. The enclosures are provided with a continuous hinge and a padlocking trunk latch. A dripshield along the top protects from falling rain, snow, or sleet. External mounting feet are provided along with studs for mounting optional panels.

**Finish:** C & I Enclosures Small Type 3R Rainproof Hinge Cover Enclosures are provided with an ANSI 61 gray polyester powdercoating inside and out over paint grip galvanized steel.

Enclosure Size HxWxD	Catalog Number	Weight	List Price	Steel Back Panel	List Price
10x8x6	C-1086RHS	9	\$53.16	CI-108RHSP	\$5.40
10x10x6	C-10106RHS	10	\$57.30	CI-1010RHSP	\$6.82
12x10x6	C-12106RHS	11	\$63.98	CI-1210RHSP	\$7.46
12x12x6	C-12126RHS	14	\$72.02	CI-1212RHSP	\$8.66
14x12x6	C-14126RHS	16	\$79.10	CI-1412RHSP	\$9.86



COMPLETE DETAILS AVAILABLE ON OUR WEB SITE

## TYPE 3R RAINPROOF HINGE COVER ENCLOSURES



**Construction:** C & I Enclosures Type 3R Rainproof Hinge Cover Enclosures are fabricated in accordance with U.L. specifications from code gauge material. The enclosures are provided with a continuous hinge and a keylocking wing knob. A dripshield along the top protects from falling rain, snow, or sleet. External mounting feet are provided along with studs for mounting optional panels.

**Finish:** C & I Enclosures Type 3R Rainproof Hinge Cover Enclosures are provided with an ANSI 61 gray polyester powdercoating inside and out over paint grip galvanized steel.

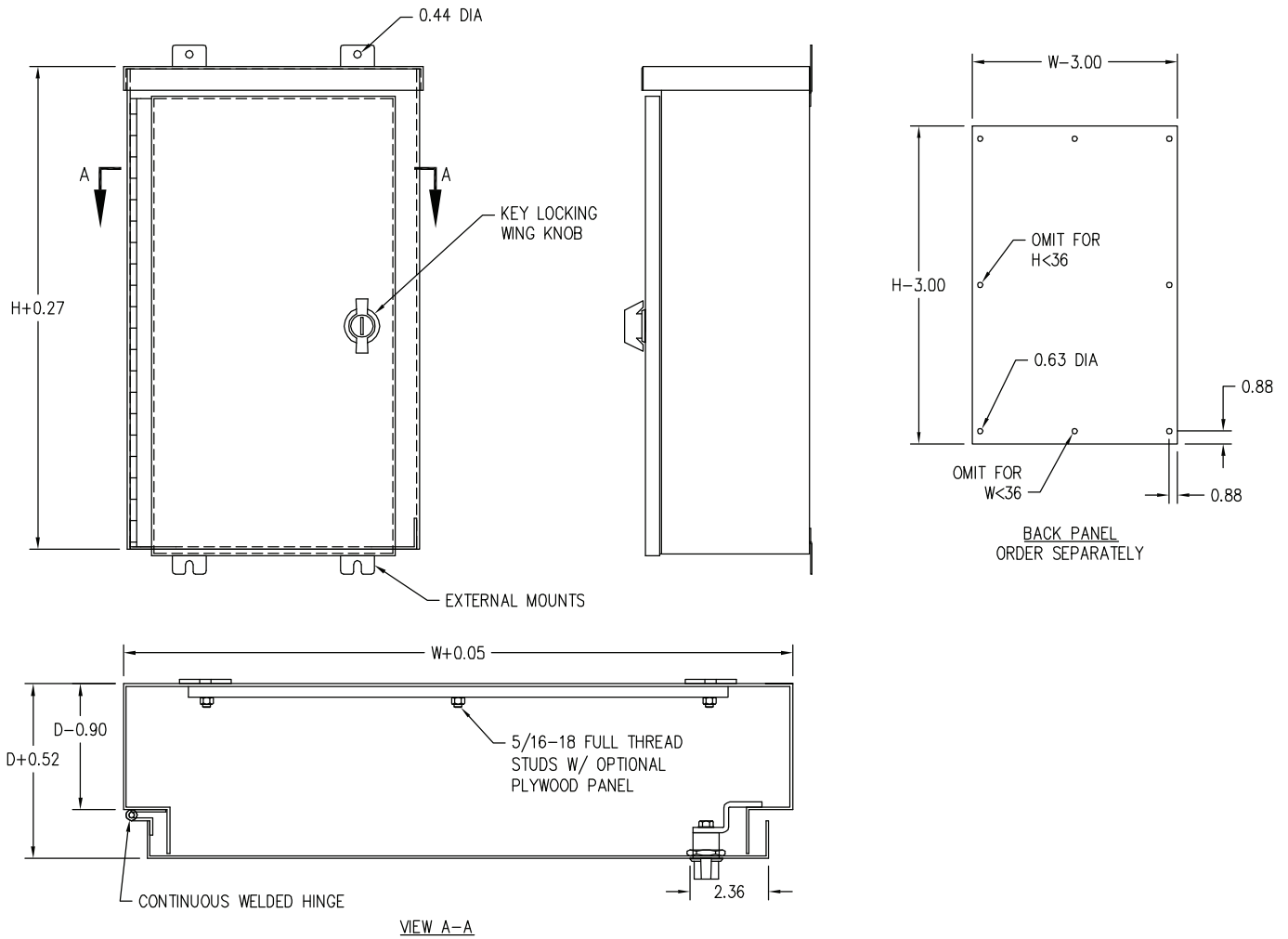
**NOTE:** Standard studs installed in the RH series are threaded studs for plywood panels.

**NOTE:** See page 50 for Steel Panels

**NOTE:** For padlockable wing knob add "PL" to suffix (C-16126RHPL)

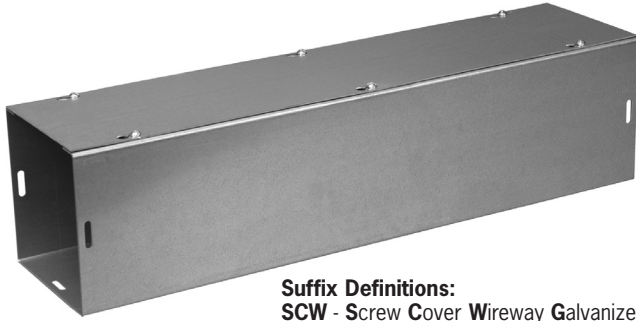
Enclosure Size HxWxD	Catalog Number	Weight	List Price	Plywood Panel	List Price
16x12x6	C-16126RH	20	\$94.00	CI-1612PW	\$22.59
16x16x6	C-16166RH	23	\$107.94	CI-1616PW	\$24.31
20x16x6	C-20166RH	27	\$125.02	CI-2016PW	\$25.97
24x24x6	C-24246RH	49	\$212.46	CI-2424PW	\$57.76
36x36x6	C-36366RH	105	\$438.54	CI-3636PW	\$113.95
20x20x8	C-20208RH	42	\$182.20	CI-2020PW	\$43.01
24x20x8	C-24208RH	48	\$205.02	CI-2420PW	\$49.65
24x24x8	C-24248RH	55	\$222.40	CI-2424PW	\$57.76
30x24x8	C-30248RH	64	\$259.70	CI-3024PW	\$64.39
36x24x8	C-36248RH	60	\$330.68	CI-3624PW	\$76.48
36x30x8	C-36308RH	98	\$432.40	CI-3630PW	\$101.64
36x36x8	C-36368RH	112	\$450.00	CI-3636PW	\$113.95
48x36x8	C-48368RH	132	\$520.75	CI-4836PW	\$153.81
24x24x10	C-242410RH	56	\$250.68	CI-2424PW	\$57.76
36x24x10	C-362410RH	74	\$346.22	CI-3624PW	\$76.48
36x36x10	C-363610RH	114	\$485.96	CI-3636PW	\$113.95
30x30x12	C-303012RH	88	\$392.64	CI-3030PW	\$89.38
36x24x12	C-362412RH	88	\$347.68	CI-3624PW	\$76.48
36x30x12	C-363012RH	98	\$450.52	CI-3630PW	\$101.64
36x36x12	C-363612RH	115	\$487.98	CI-3636PW	\$113.95
48x36x12	C-483612RH	139	\$621.40	CI-4836PW	\$153.81
60x36x12	C-603612RH	165	\$745.41	CI-6036PW	\$171.01

# TYPE 3R RAINPROOF HINGE COVER ENCLOSURES



COMPLETE DETAILS AVAILABLE ON OUR WEB SITE

## TYPE 1 SCREW COVER WIREWAY



**Construction:** C & I Enclosures Type 1 Screw Cover and Hinge Cover Wireway is fabricated in accordance with U.L. specifications from code gauge steel. Wireway is furnished standard without knockouts to allow the user to punch holes only where they are needed. Knockouts are available on request. Hinge Cover Wireway is provided with hinges on one side and screws on the other.

**Finish:** C & I Enclosures Type 1 Screw Cover and Hinge Cover Wireway is available in G-90U galvanized steel or an ANSI 61 gray polyester powdercoating inside and out over paint grip galvanized steel.

**Suffix Definitions:**

**SCW** - Screw Cover Wireway Galvanized  
**SCWKO** - Screw Cover Wireway Galvanized w/KO's  
**HCW** - Hinge Cover Wireway Galvanized - Add 5%  
**HCWKO** - Hinge Cover Wireway Galvanized w/KO's - Add 5%

**SCWP** - Screw Cover Wireway Painted - Add 5%  
**SCWPKO** - Screw Cover Wireway Painted w/KO's - Add 5%  
**HCWP** - Hinge Cover Wireway Painted - Add 10%  
**HCWPKO** - Hinge Cover Wireway Painted w/KO's - Add 10%

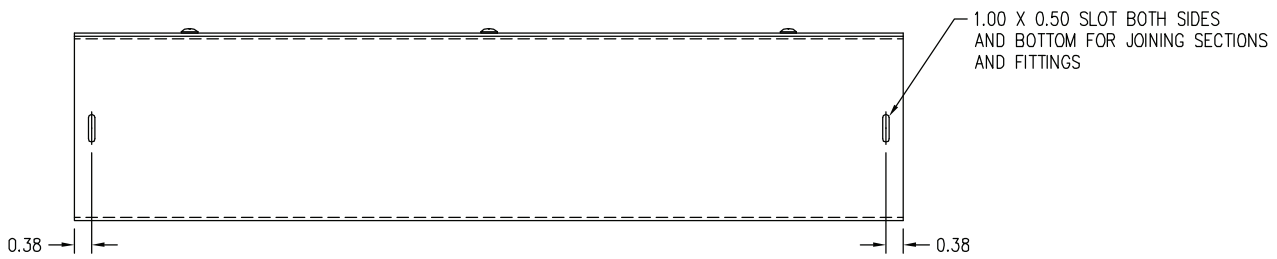
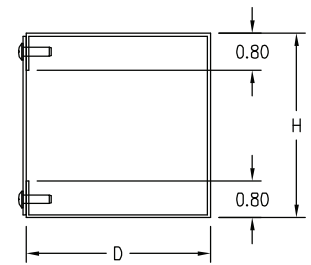
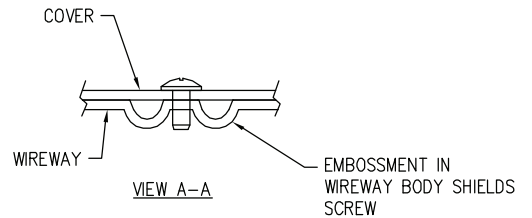
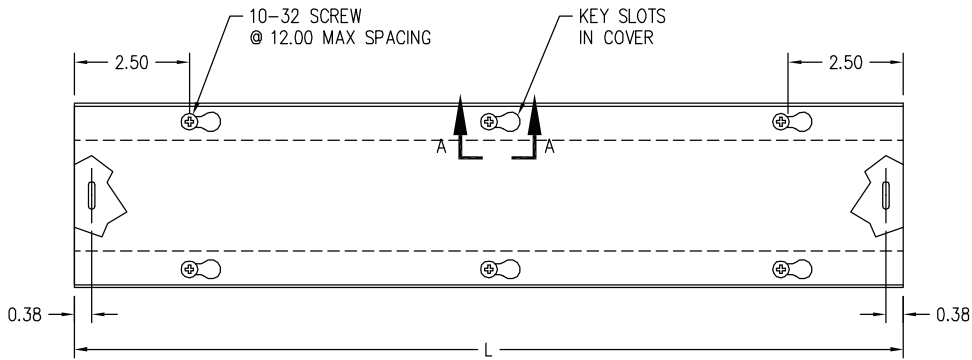
Enclosure Size HxDxL	Catalog Number	Weight	List Price
4x4x12	C-1-44SCW	3	\$10.92
4x4x24	C-2-44SCW	7	\$14.32
4x4x36	C-3-44SCW	10	\$20.70
4x4x48	C-4-44SCW	14	\$28.42
4x4x60	C-5-44SCW	17	\$32.24
4x4x72	C-6-44SCW	20	\$44.50
4x4x84	C-7-44SCW	25	\$48.72
4x4x96	C-8-44SCW	29	\$58.22
4x4x119	C-10-44SCW	35	\$62.98
End Cap	C-44-EC	0.5	\$2.50
U Connector	C-44-UC	0.5	\$3.30
Tee	C-44-T	5	\$28.42
Cross	C-44-C	6	\$31.02
90° - Elbow	C-44-90L	5	\$22.72
45° - Elbow	C-44-45L	4	\$22.72
Panel Adapter	C-44-PA	1	\$7.82
Universal Hanger	C-44-UH	2	\$7.92
6x6x12	C-1-66SCW	5	\$19.12
6x6x24	C-2-66SCW	10	\$29.04
6x6x36	C-3-66SCW	15	\$31.72
6x6x48	C-4-66SCW	20	\$43.22
6x6x60	C-5-66SCW	25	\$50.00
6x6x72	C-6-66SCW	30	\$64.22
6x6x84	C-7-66SCW	39	\$74.50
6x6x96	C-8-66SCW	44	\$86.82
6x6x119	C-10-66SCW	50	\$109.70
End Cap	C-66-EC	1	\$4.00
U Connector	C-66-UC	0.5	\$4.98
Tee	C-66-T	8	\$35.24
Cross	C-66-C	10	\$38.68
90° - Elbow	C-66-90L	7	\$27.90
45° - Elbow	C-66-45L	5	\$27.32
Panel Adapter	C-66-PA	2	\$9.92
Reducer	C-64-R	2	\$30.40
Universal Hanger	C-66-UH	2	\$12.62
8x8x12	C-1-88SCW	7	\$33.28
8x8x24	C-2-88SCW	16	\$45.92
8x8x36	C-3-88SCW	25	\$69.00
8x8x48	C-4-88SCW	33	\$80.58
8x8x60	C-5-88SCW	41	\$93.26
8x8x72	C-6-88SCW	50	\$122.74
8x8x84	C-7-88SCW	64	\$138.98
8x8x96	C-8-88SCW	73	\$179.16
8x8x119	C-10-88SCW	88	\$202.48
End Cap	C-88-EC	2	\$5.34

## TYPE 1 SCREW COVER WIREWAY

Enclosure Size HxDxL	Catalog Number	Weight	List Price
U Connector	C-88-UC	1	\$6.84
Tee	C-88-T	14	\$60.02
Cross	C-88-C	16	\$67.96
90° - Elbow	C-88-90L	12	\$47.22
45° - Elbow	C-88-45L	10	\$43.80
Panel Adapter	C-88-PA	2	\$16.42
Reducer	C-86-R	2	\$36.06
Universal Hanger	C-88-UH	3	\$17.24
10x10x12	C-1-1010SCW	10	\$43.72
10x10x24	C-2-1010SCW	20	\$82.64
10x10x36	C-3-1010SCW	30	\$102.62
10x10x48	C-4-1010SCW	40	\$123.96
10x10x60	C-5-1010SCW	50	\$146.54
10x10x72	C-6-1010SCW	60	\$207.92
10x10x84	C-7-1010SCW	70	\$228.70
10x10x96	C-8-1010SCW	80	\$263.30
10x10x119	C-10-1010SCW	100	\$302.40
End Cap	C-1010-EC	2.5	\$10.52
U Connector	C-1010-UC	2	\$12.94
Tee	C-1010-T	20	\$98.98
Cross	C-1010-C	20	\$106.00
90° - Elbow	C-1010-90L	18	\$71.38
45° - Elbow	C-1010-45L	14	\$71.38
Panel Adapter	C-1010-PA	3	\$29.50
Reducer	C-108-R	2	\$62.48
Universal Hanger	C-1010-UH	5	\$24.52
12x12x12	C-1-1212SCW	13	\$50.86
12x12x24	C-2-1212SCW	26	\$88.22
12x12x36	C-3-1212SCW	38	\$122.40
12x12x48	C-4-1212SCW	51	\$141.36
12x12x60	C-5-1212SCW	63	\$168.52
12x12x72	C-6-1212SCW	75	\$238.80
12x12x84	C-7-1212SCW	99	\$271.24
12x12x96	C-8-1212SCW	112	\$302.64
12x12x119	C-10-1212SCW	126	\$347.96
End Cap	C-1212-EC	3	\$12.50
U Connector	C-1212-UC	2	\$15.12
Tee	C-1212-T	26	\$124.70
Cross	C-1212-C	26	\$117.88
90° - Elbow	C-1212-90L	24	\$87.72
45° - Elbow	C-1212-45L	19	\$87.72
Panel Adapter	C-1212-PA	3	\$37.90
Reducer	C-1210-R	2	\$69.42
Universal Hanger	C-1212-UH	6	\$34.50

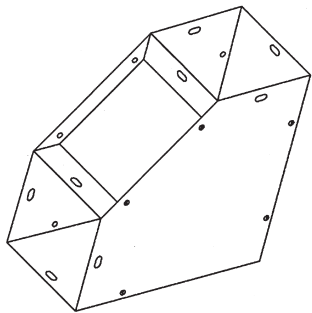
# TYPE 1 SCREW COVER WIREWAY

## WIREWAY

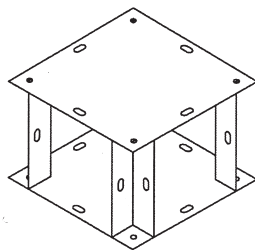


COMPLETE DETAILS AVAILABLE ON OUR WEB SITE

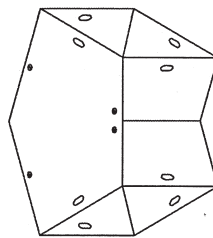
## FITTINGS



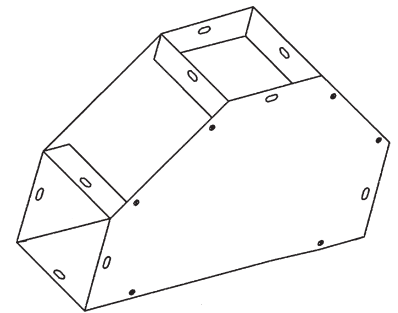
90° - ELBOW



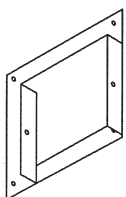
CROSS



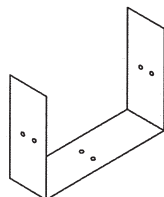
45° - ELBOW



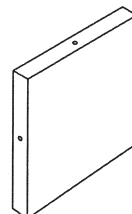
TEE



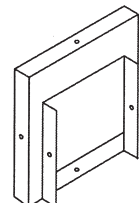
PANEL ADAPTER



U - CONNECTOR

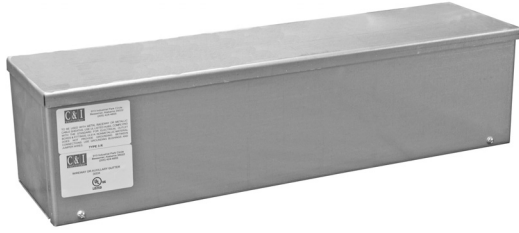


END CAP



REDUCER

## TYPE 3R RAINPROOF TROUGH



**Construction:** C & I Enclosures Type 3R Rainproof Trough is fabricated in accordance with U.L. specifications from code gauge material. A dripshield along the top protects from falling rain, snow, or sleet. A slide-on cover is attached by screws along the bottom edge of the trough.

**Finish:** C & I Enclosures Type 3R Rainproof Trough is available in G-90U galvanized steel, or an ANSI 61 gray polyester powdercoating inside and out over paint grip galvanized steel.

**Suffix Definitions:**

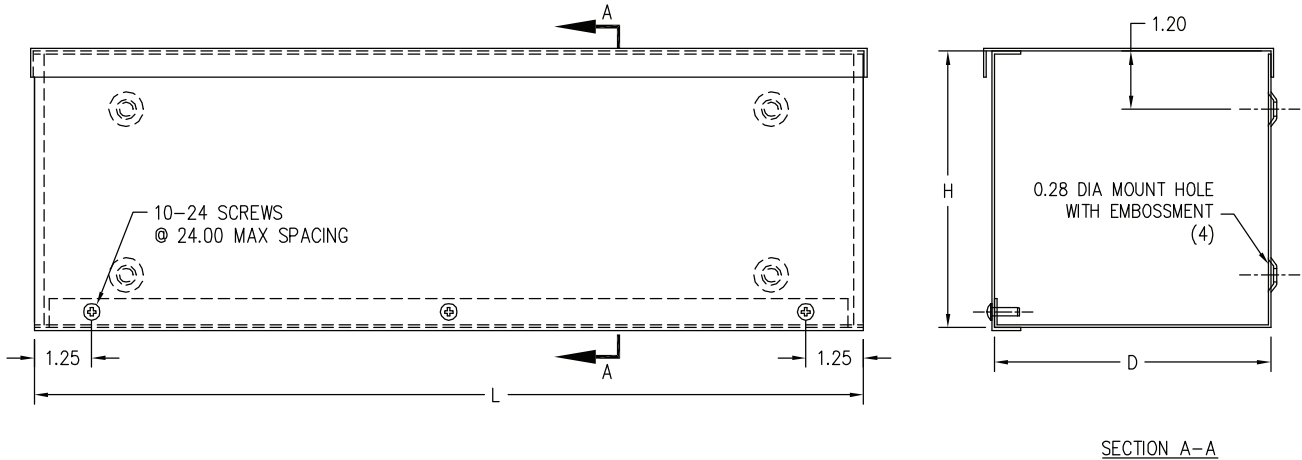
**RT** - Rainproof Trough Galvanized

**RTP** - Rainproof Trough Painted - Add 5%

Enclosure Size HxDxL	Catalog Number	Weight	List Price
4x4x12	C-1-44RT	4	\$18.22
4x4x24	C-2-44RT	8	\$33.50
4x4x36	C-3-44RT	11	\$48.00
4x4x48	C-4-44RT	15	\$60.96
4x4x60	C-5-44RT	18	\$77.16
4x4x72	C-6-44RT	22	\$93.04
4x4x84	C-7-44RT	25	\$108.02
4x4x96	C-8-44RT	29	\$123.50
4x4x118	C-10-44RT	35	\$150.50
6x6x12	C-1-66RT	7	\$29.30
6x6x24	C-2-66RT	12	\$44.76
6x6x36	C-3-66RT	17	\$63.80
6x6x48	C-4-66RT	23	\$83.06
6x6x60	C-5-66RT	28	\$99.48
6x6x72	C-6-66RT	33	\$118.48
6x6x84	C-7-66RT	39	\$139.06
6x6x96	C-8-66RT	44	\$158.84
6x6x118	C-10-66RT	54	\$192.62
8x8x24	C-2-88RT	17	\$75.94
8x8x36	C-3-88RT	24	\$90.94
8x8x48	C-4-88RT	31	\$115.96
8x8x60	C-5-88RT	38	\$136.76
8x8x72	C-6-88RT	45	\$158.14
8x8x84	C-7-88RT	52	\$181.16
8x8x96	C-8-88RT	59	\$217.28
8x8x118	C-10-88RT	72	\$268.78
10x10x24	C-2-1010RT	22	\$130.66
10x10x36	C-3-1010RT	34	\$144.16
10x10x48	C-4-1010RT	44	\$160.96
10x10x60	C-5-1010RT	54	\$201.12
10x10x72	C-6-1010RT	63	\$236.00
10x10x84	C-7-1010RT	73	\$264.08
10x10x96	C-8-1010RT	83	\$302.60
10x10x118	C-10-1010RT	101	\$381.02
12x12x24	C-2-1212RT	30	\$173.46
12x12x36	C-3-1212RT	46	\$189.02
12x12x48	C-4-1212RT	59	\$197.28
12x12x60	C-5-1212RT	72	\$225.96
12x12x72	C-6-1212RT	86	\$272.42
12x12x84	C-7-1212RT	98	\$318.62
12x12x96	C-8-1212RT	112	\$351.28
12x12x118	C-10-1212RT	136	\$437.44

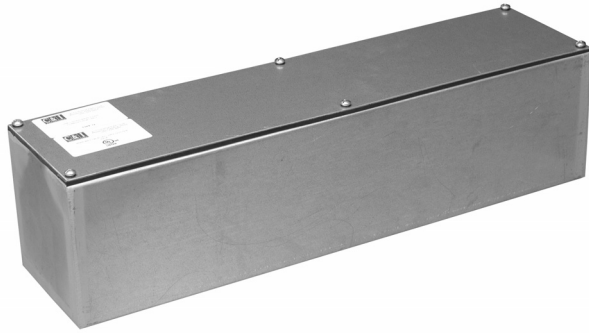


# TYPE 3R RAINPROOF TROUGH



COMPLETE DETAILS AVAILABLE ON OUR WEB SITE

## TYPE 12 SCREW COVER GASKETED TROUGH



**Construction:** C & I Enclosures Type 12 Screw Cover Gasketed Trough is fabricated in accordance with U.L. specifications from code gauge material. All seams are continuously welded and ground smooth. An oil resistant gasket is attached to the cover to prevent moisture or dust from entering the box.

**Finish:** C & I Enclosures Type 12 Screw Cover Gasketed Trough is available in G-90U galvanized steel, Type 5052 H-32 aluminum, an ANSI 61 gray polyester powdercoating inside and out over paint grip galvanized steel, or Type 304 stainless steel.

**For Type 3 Screw Cover Gasketed Trough Call Factory For Pricing.**

**Suffix Definitions:**

**GT - Galvanized Screw Cover Gasketed**

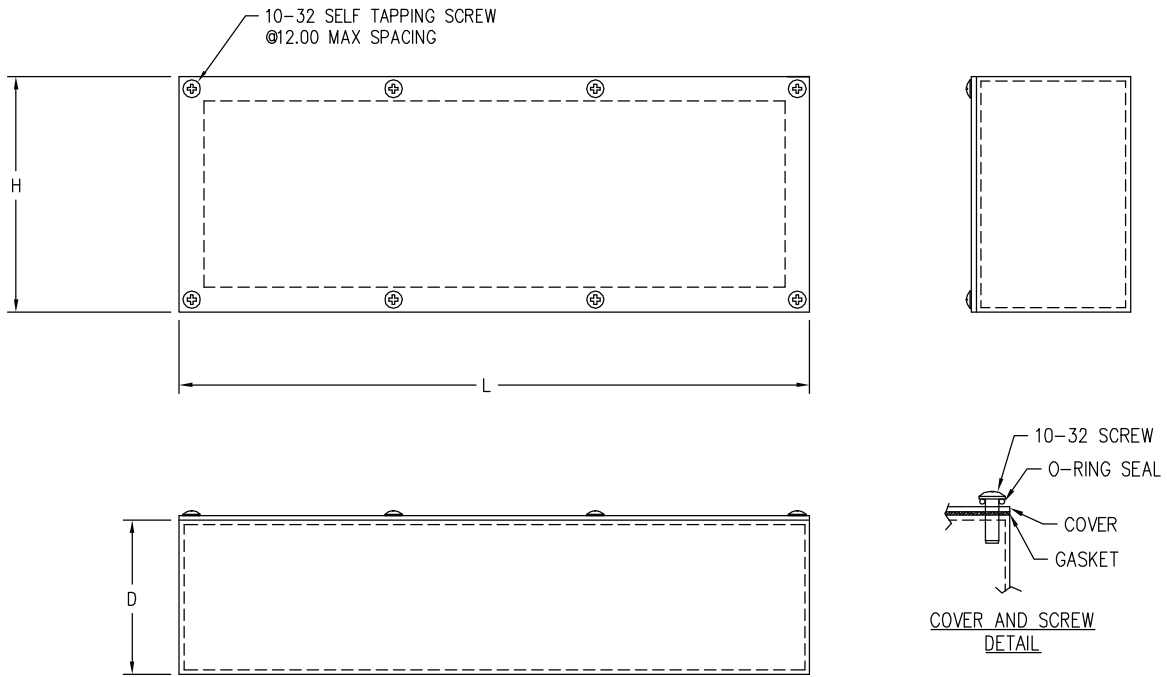
**GTP - Painted Screw Cover Gasketed - Add 5%**

**GTA - Aluminum Screw Cover Gasketed - Call factory for pricing**

**GTS - Stainless Steel Screw Cover Gasketed - Call factory for pricing**

Enclosure Size HxDxL	Catalog Number	Weight	List Price
4x4x12	C-1-44GT	4	\$36.36
4x4x24	C-2-44GT	8	\$63.18
4x4x36	C-3-44GT	11	\$80.50
4x4x48	C-4-44GT	15	\$98.54
4x4x60	C-5-44GT	18	\$125.02
6x6x24	C-2-66GT	12	\$84.96
6x6x36	C-3-66GT	17	\$113.80
6x6x48	C-4-66GT	22	\$138.82
6x6x60	C-5-66GT	28	\$161.82
6x6x72	C-6-66GT	33	\$189.80
6x6x84	C-7-66GT	39	\$220.98
6x6x96	C-8-66GT	44	\$253.74
8x8x24	C-2-88GT	17	\$118.86
8x8x36	C-3-88GT	24	\$132.54
8x8x48	C-4-88GT	31	\$155.48
8x8x60	C-5-88GT	38	\$195.22
8x8x72	C-6-88GT	45	\$228.42
8x8x84	C-7-88GT	52	\$256.84
8x8x96	C-8-88GT	59	\$296.58
8x8x120	C-10-88GT	73	\$359.74
10x10x24	C-2-1010GT	27	\$148.00
10x10x36	C-3-1010GT	30	\$168.22
10x10x48	C-4-1010GT	47	\$216.76
10x10x60	C-5-1010GT	58	\$262.40
10x10x72	C-6-1010GT	69	\$282.62
10x10x84	C-7-1010GT	80	\$319.36
10x10x96	C-8-1010GT	91	\$346.24
10x10x120	C-10-1010GT	112	\$428.62
12x12x24	C-2-1212GT	33	\$176.52
12x12x36	C-3-1212GT	45	\$212.28
12x12x48	C-4-1212GT	58	\$234.36
12x12x60	C-5-1212GT	71	\$292.78
12x12x72	C-6-1212GT	84	\$321.70
12x12x84	C-7-1212GT	97	\$378.74
12x12x96	C-8-1212GT	110	\$412.00
12x12x120	C-10-1212GT	135	\$502.26

# TYPE 12 SCREW COVER GASKETED TROUGH



COMPLETE DETAILS AVAILABLE ON OUR WEB SITE

# TYPE 1 SCREW COVER X RAY DUCT



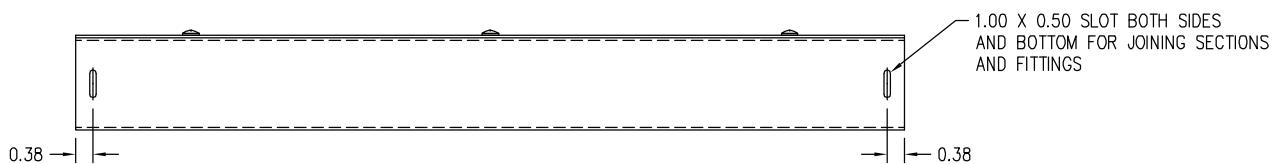
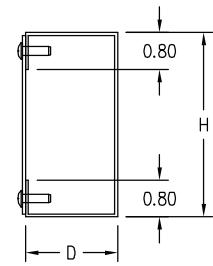
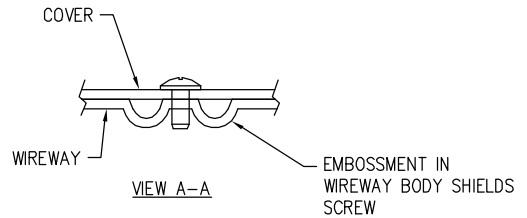
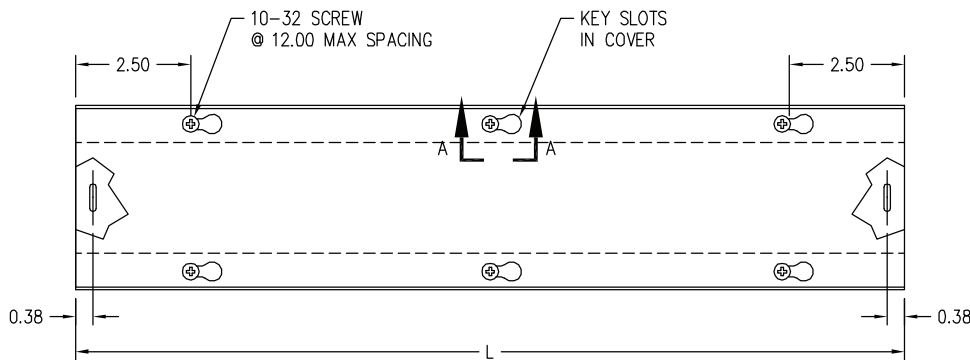
**Construction:** C & I Enclosures Type 1 Painted Screw Cover X-Ray Duct is fabricated in accordance with UL specifications from code gauge steel.

**Finish:** C & I Type 1 X-Ray Duct is provided with an ANSI 61 gray polyester powdercoating inside and out.

Enclosure Size HxDxL	Catalog Number	Weight	List Price
10x3.5x12	1-10XR	7	\$57.74
10x3.5x24	2-10XR	15	\$73.72
10x3.5x36	3-10XR	22	\$110.42
10x3.5x48	4-10XR	30	\$149.16
10x3.5x60	5-10XR	37	\$182.32
10x3.5x72	6-10XR	45	\$221.30
10x3.5x84	7-10XR	52	\$257.74
10x3.5x96	8-10XR	60	\$291.30
10x3.5x119	10-10XR	73	\$355.94
18x3.5x12	1-18XR	12	\$77.00
18x3.5x24	2-18XR	23	\$128.24
18x3.5x36	3-18XR	35	\$150.48
18x3.5x48	4-18XR	47	\$200.22
18x3.5x60	5-18XR	58	\$231.96
18x3.5x72	6-18XR	70	\$308.00
18x3.5x84	7-18XR	81	\$359.70
18x3.5x96	8-18XR	93	\$400.24
18x3.5x119	10-18XR	117	\$451.96

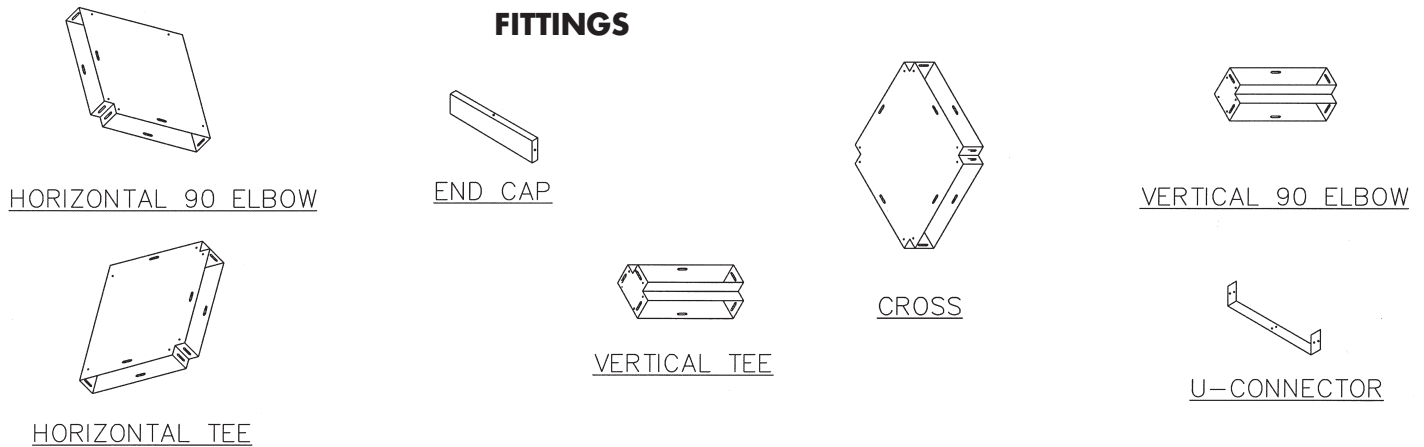
COMPLETE DETAILS AVAILABLE ON OUR WEB SITE

## WIREWAY



# TYPE 1 SCREW COVER XRAY DUCT

## FITTINGS



Fitting Description 10" High	Catalog Number	Weight	List Price
60" Divider	60-XRD	5	\$27.12
120" Divider	120-XRD	10	\$54.00
Horizontal 90 Elbow	10-XHL	8	\$105.76
Vertical 90 Elbow	10-XVL	7	\$87.34
Horizontal Tee	10-XHT	7	\$112.82
Vertical Tee	10-XVT	7	\$100.00
Cross	10-XC	8	\$122.96
End Cap	10-XEC	1	\$12.52
U Connector	10-XUC	1	\$10.00
Panel Adapter	10-XPA	2	\$36.86

Fitting Description 18" High	Catalog Number	Weight	List Price
60" Divider	60-XRD	5	\$27.12
120" Divider	120-XRD	10	\$54.00
Horizontal 90 Elbow	18-XHL	23	\$175.16
Vertical 90 Elbow	18-XVL	11	\$159.74
Horizontal Tee	18-XHT	23	\$189.50
Vertical Tee	18-XVT	23	\$183.04
Cross	18-XC	24	\$230.00
End Cap	18-XEC	2	\$20.20
U Connector	18-XUC	2	\$19.00
Panel Adapter	18-XPA	2	\$48.78

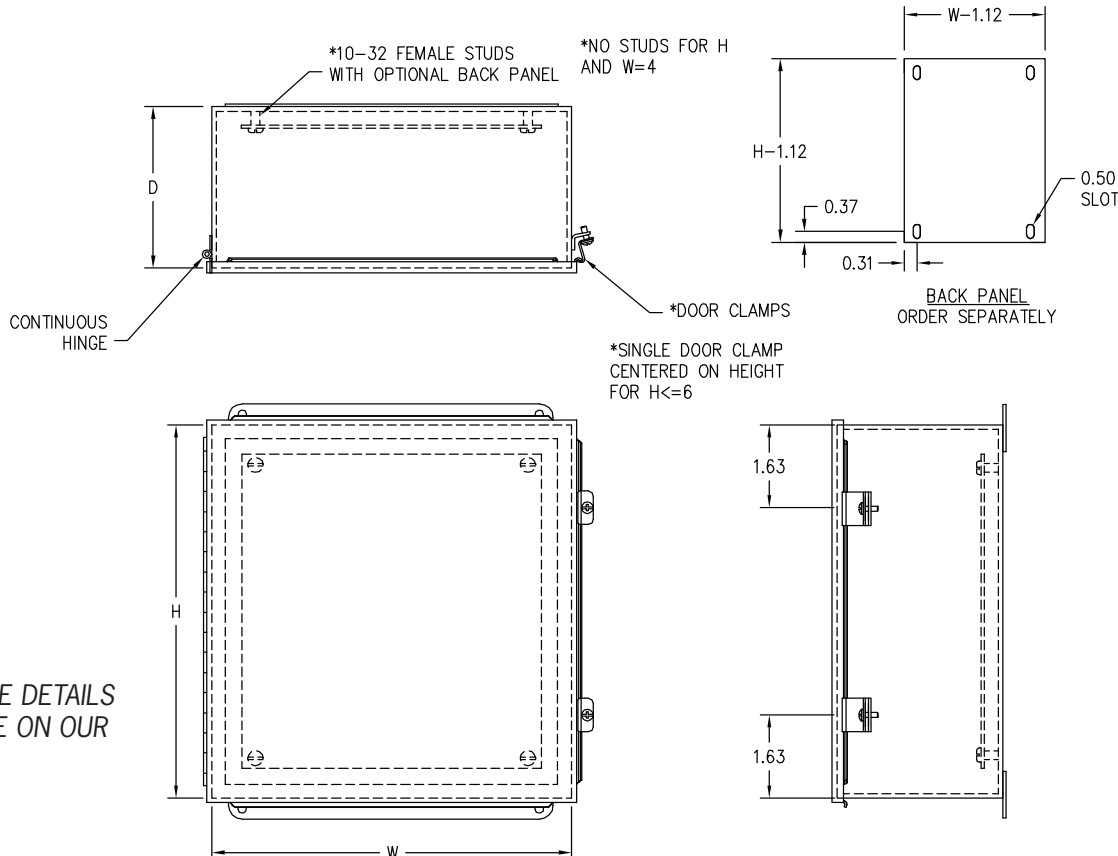
# TYPE 12 PAINTED J.I.C. CONTINUOUS HINGE BOXES



**Construction:** C & I Enclosures Type 12 Painted J.I.C. Continuous Hinge Boxes are fabricated in accordance with U.L. specifications, from code gauge material. An oil resistant gasket is attached to the cover to prevent dust from entering the box. The boxes are provided with a continuous hinge and external screw clamps on one side. All seams are continuously welded and ground smooth. External mounting feet are provided along with studs for mounting optional panels.

**Finish:** C & I Enclosures Type 12 Painted J.I.C. Continuous Hinge Boxes are provided with an ANSI 61 gray polyester powdercoating inside and out over paint grip galvanized steel.

Enclosure Size HxWxD	Catalog Number	Weight	List Price	Panel	List Price
4x4x4	I-444JHT12	2	\$34.86	N/A	N/A
6x4x4	I-644JHT12	3	\$39.08	CI-64JHP	\$2.98
6x6x4	I-664JHT12	4	\$43.50	CI-66JHP	\$3.56
8x6x4	I-864JHT12	6	\$50.00	CI-86JHP	\$4.02
8x8x4	I-884JHT12	7	\$51.00	CI-88JHP	\$4.72
10x8x4	I-1084JHT12	8	\$56.94	CI-108JHP	\$5.58
12x6x4	I-1264JHT12	8	\$55.50	CI-126JHP	\$5.20
10x8x6	I-1086JHT12	10	\$64.30	CI-108JHP	\$5.58
10x10x6	I-10106JHT12	11	\$70.96	CI-1010JHP	\$6.42
12x10x6	I-12106JHT12	14	\$78.23	CI-1216JHP	\$7.56
12x12x6	I-12126JHT12	15	\$85.50	CI-1212JHP	\$8.70
14x12x6	I-14126JHT12	17	\$95.70	CI-1412JHP	\$10.24
16x14x6	I-16146JHT12	20	\$109.50	CI-1614JHP	\$13.42
12x10x8	I-12108JHT12	15	\$88.00	CI-1210JHP	\$7.56
14x12x8	I-14128JHT12	19	\$107.10	CI-1412JHP	\$10.24
16x14x8	I-16148JHT12	23	\$125.50	CI-1614JHP	\$13.42
16x14x10	I-161410JHT12	26	\$137.98	CI-1614JHP	\$13.42



COMPLETE DETAILS  
AVAILABLE ON OUR  
WEB SITE

## TYPE 12 PAINTED SINGLE DOOR ENCLOSURES

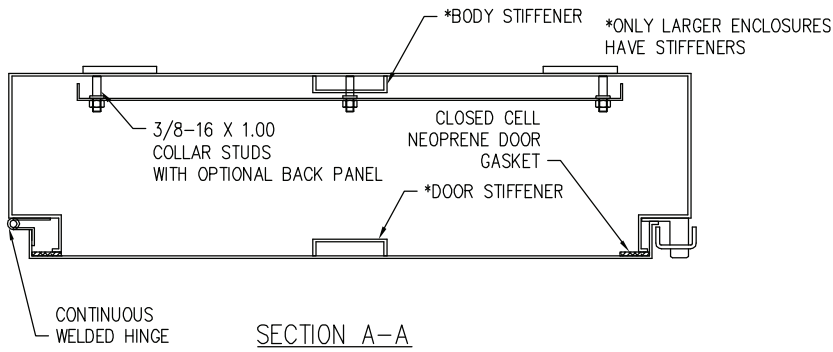
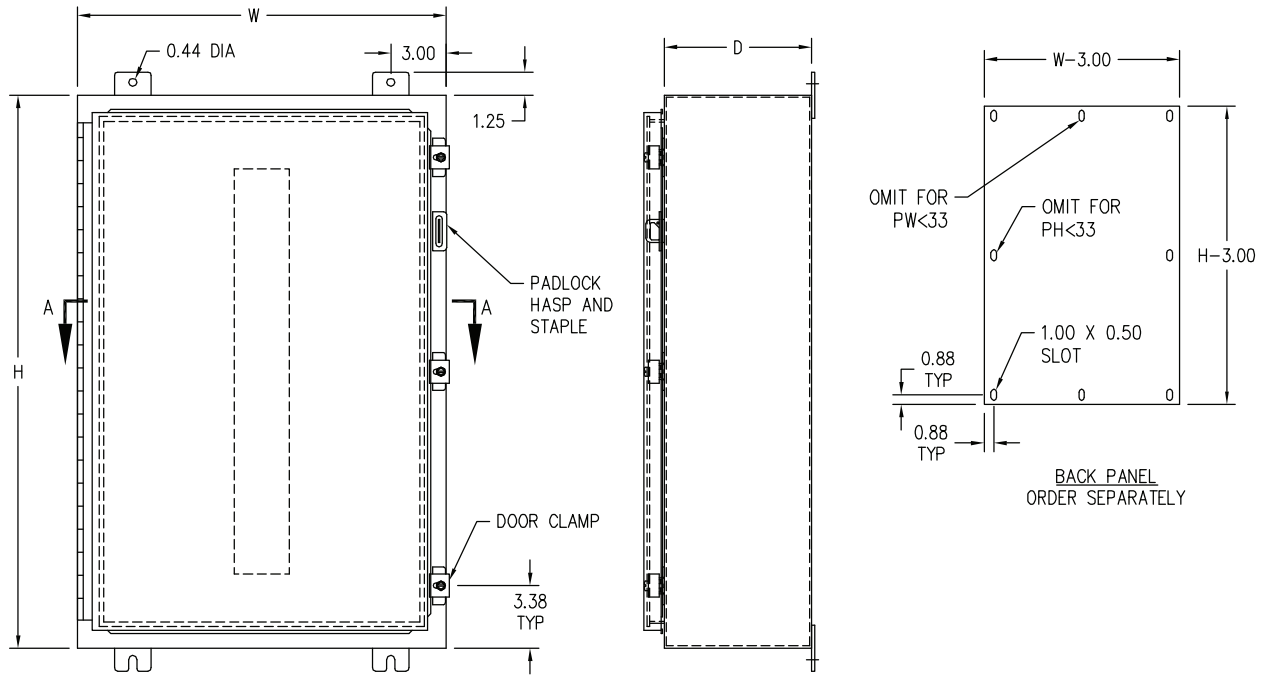


**Construction:** C & I Enclosures Type 12 Painted Single Door Enclosures are fabricated in accordance with U.L. specifications from code gauge material. A rolled lip is provided around three sides of the door and all sides of the enclosure opening to prevent dirt and water from falling into the enclosure when the door is opened. An oil resistant gasket is attached to the cover. The enclosures are provided with a continuous hinge and door clamps on one side. A hasp and staple are provided for padlocking. All seams are continuously welded and ground smooth. External mounting feet are provided along with studs for mounting optional panels.

**Finish:** C & I Enclosures Type 12 Painted Single Door Enclosures are provided with an ANSI 61 gray polyester powdercoating inside and out over paint grip galvanized steel.

Enclosure Size HxWxD	Catalog Number	Weight	List Price	Panel	List Price
16x12x6	I-16126T12	22	\$209.02	CI-1612P	\$19.50
16x16x6	I-16166T12	27	\$225.02	CI-1616P	\$24.00
20x16x6	I-20166T12	31	\$237.52	CI-2016P	\$28.50
20x20x6	I-20206T12	36	\$256.86	CI-2020P	\$34.42
24x12x6	I-24126T12	30	\$235.70	CI-2412P	\$28.72
24x16x6	I-24166T12	37	\$262.70	CI-2416P	\$33.50
24x20x6	I-24206T12	41	\$279.90	CI-2420P	\$44.96
24x24x6	I-24246T12	48	\$300.00	CI-2424P	\$50.22
30x20x6	I-30206T12	51	\$312.76	CI-3020P	\$52.64
30x24x6	I-30246T12	58	\$343.50	CI-3024P	\$63.04
36x24x6	I-36246T12	69	\$370.40	CI-3624P	\$75.98
16x12x8	I-16128T12	24	\$219.08	CI-1612P	\$19.50
20x16x8	I-20168T12	34	\$254.50	CI-2016P	\$28.50
20x20x8	I-20208T12	40	\$283.26	CI-2020P	\$34.42
24x20x8	I-24208T12	46	\$291.34	CI-2420P	\$44.96
24x24x8	I-24248T12	52	\$317.34	CI-2424P	\$50.22
30x20x8	I-30208T12	55	\$324.96	CI-3020P	\$52.64
30x24x8	I-30248T12	63	\$352.56	CI-3024P	\$63.04
30x30x8	I-30308T12	75	\$400.00	CI-3030P	\$77.50
36x24x8	I-36248T12	72	\$391.00	CI-3624P	\$75.98
36x30x8	I-36308T12	90	\$431.02	CI-3630P	\$99.16
48x36x8	I-48368T12	133	\$575.50	CI-4836P	\$152.47
60x36x8	I-60368T12	160	\$700.56	CI-6036P	\$185.88
20x16x10	I-201610T12	38	\$264.90	CI-2016P	\$28.50
24x20x10	I-242010T12	50	\$309.74	CI-2420P	\$44.96
30x24x10	I-302410T12	68	\$378.76	CI-3024P	\$63.04
36x30x10	I-363010T12	96	\$465.06	CI-3630P	\$99.16
48x30x10	I-483010T12	120	\$543.62	CI-4830P	\$127.26
48x36x10	I-483610T12	141	\$628.20	CI-4836P	\$152.47
60x36x10	I-603610T12	169	\$728.66	CI-6036P	\$185.88
24x24x12	I-242412T12	61	\$355.00	CI-2424P	\$50.22
36x24x12	I-362412T12	83	\$431.08	CI-3624P	\$75.98
36x30x12	I-363012T12	102	\$480.00	CI-3630P	\$99.16
48x36x12	I-483612T12	148	\$636.62	CI-4836P	\$152.47
60x36x12	I-603612T12	208	\$740.42	CI-6036P	\$185.88
36x30x16	I-363016T12	114	\$550.42	CI-3630P	\$99.16
48x36x16	I-483616T12	164	\$699.02	CI-4836P	\$152.47
60x36x16	I-603616T12	195	\$850.42	CI-6036P	\$185.88

# TYPE 12 PAINTED SINGLE DOOR ENCLOSURES



COMPLETE DETAILS AVAILABLE ON OUR WEB SITE



## TYPE 12 PAINTED WALL MOUNTED DOUBLE DOOR ENCLOSURES

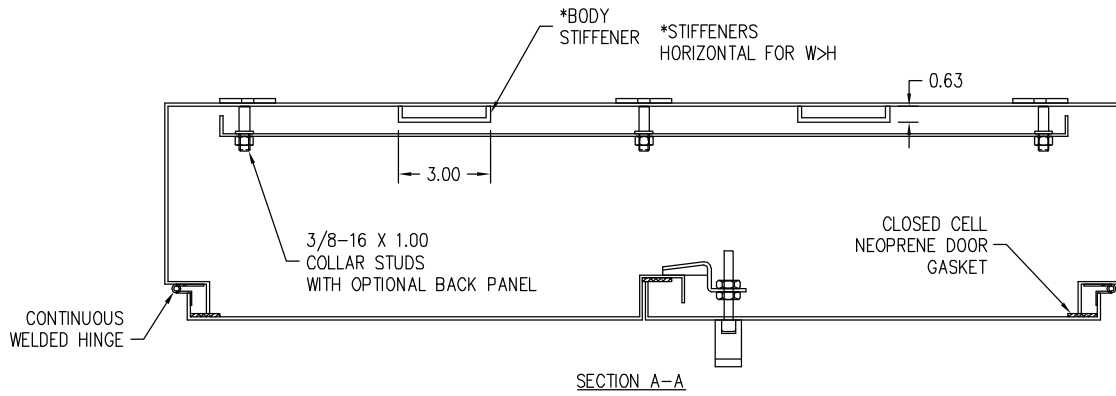
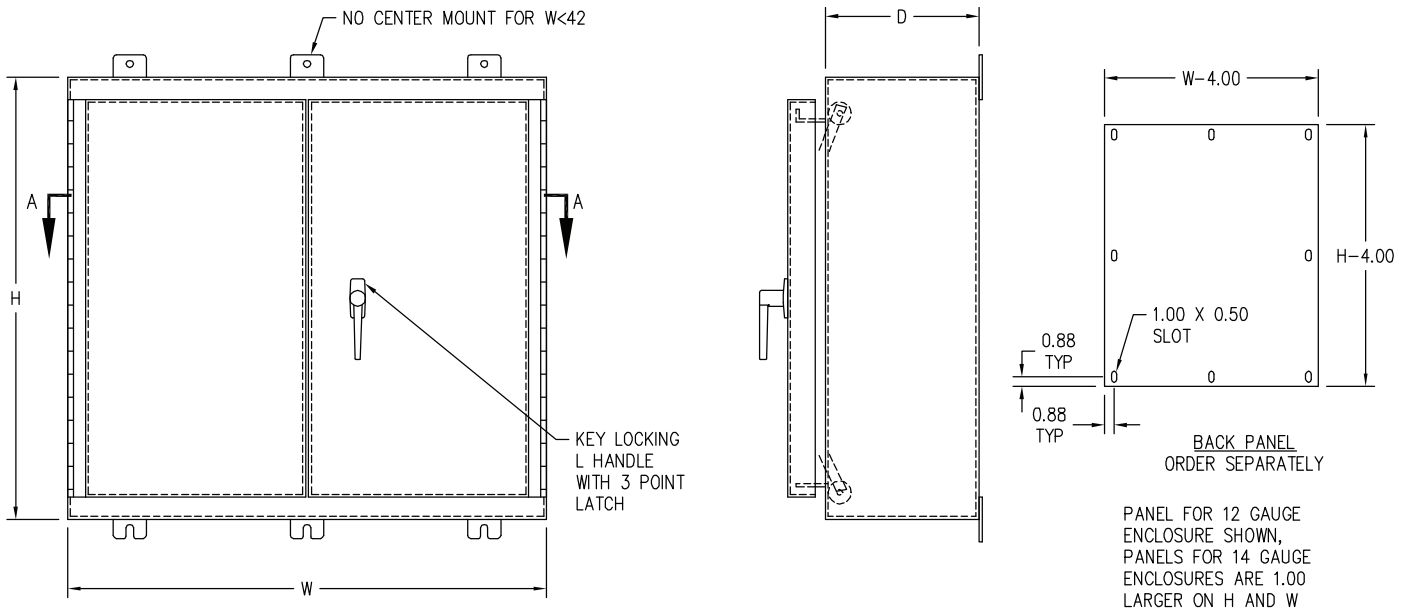


**Construction:** C & I Enclosures Type 12 Painted Wall Mounted Double Door Enclosures are fabricated in accordance with U.L. specifications from code gauge material. An oil resistant gasket is attached to the doors. The enclosures have overlapping doors which eliminates the need for a centerpost. A three point latch is provided which incorporates roller arms to hold the doors securely closed. The enclosures are provided with continuous hinges. All seams are continuously welded and ground smooth. External mounting feet are provided along with studs for mounting optional panels.

**Finish:** C & I Enclosures Type 12 Painted Wall Mounted Double Door Enclosures are provided with an ANSI 61 gray polyester powdercoating inside and out over paint grip galvanized steel.

Enclosure Size HxWxD	Catalog Number	Weight	List Price	Panel	List Price
24x42x8	I-24428WDT12	68	\$550.72	CI-WD2442P	\$78.30
24x48x8	I-24488WDT12	74	\$599.74	CI-WD2448P	\$83.06
30x42x10	I-304210WDT12	103	\$651.38	CI-WD3042P	\$97.96
30x48x10	I-304810WDT12	117	\$736.90	CI-WD3048P	\$108.46
30x60x10	I-306010WDT12	142	\$843.10	CI-WD3060P	\$130.64
36x42x12	I-364212WDT12	128	\$783.68	CI-WD3642P	\$122.22
36x48x12	I-364812WDT12	165	\$854.00	CI-WD3648P	\$137.04
36x60x12	I-366012WDT12	200	\$975.54	CI-WD3660P	\$163.50
42x60x12	I-426012WDT12	229	\$1,091.30	CI-WD4260P	\$180.00
48x48x12	I-484812WDT12	201	\$904.00	CI-WD4848P	\$170.52

# TYPE 12 PAINTED WALL MOUNTED DOUBLE DOOR ENCLOSURES



COMPLETE DETAILS AVAILABLE ON OUR WEB SITE

## TYPE 12 PAINTED FLOOR MOUNTED DOUBLE DOOR ENCLOSURES

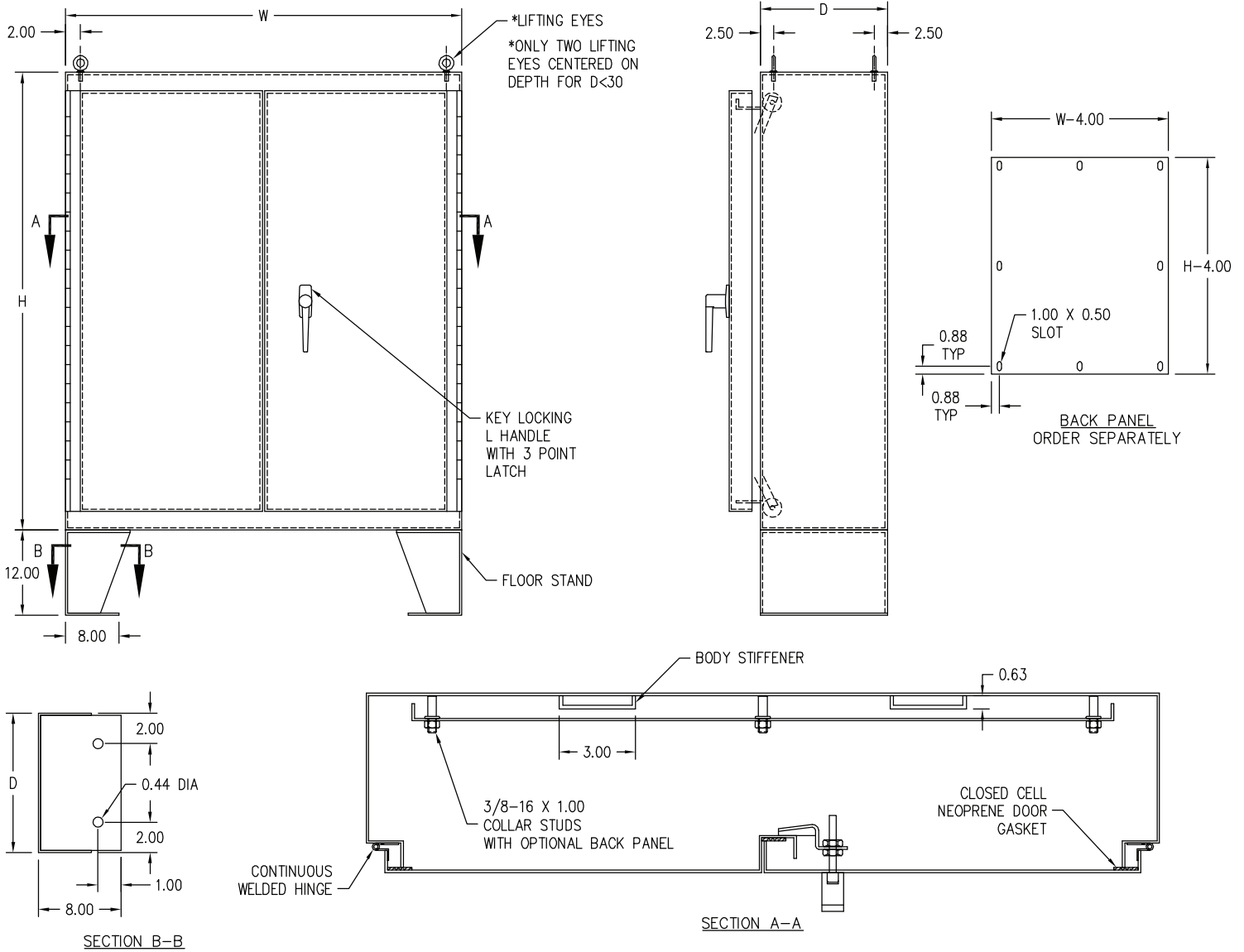


**Construction:** C & I Enclosures Type 12 Painted Floor Mounted Double Door Enclosures are fabricated in accordance with U.L. specifications from code gauge material. An oil resistant gasket is attached to the doors. The enclosures are provided with continuous hinges. The enclosures have overlapping doors which eliminates the need for a centerpost. A three point latch is provided which incorporates roller arms to hold the doors securely closed. Each enclosure is provided with twelve inch legs and lifting eyes for easy handling. All seams are continuously welded and ground smooth. Collar studs are provided for mounting optional panels.

**Finish:** C & I Enclosures Type 12 Painted Floor Mounted Double Door Enclosures are provided with an ANSI 61 gray polyester powdercoating inside and out over paint grip galvanized steel

Enclosure Size HxWxD	Catalog Number	Weight	List Price	Panel	List Price
54x42x8	I-54428DT12	210	\$1,075.90	CI-5442DP	\$171.30
60x48x8	I-60488DT12	319	\$1,396.52	CI-6048DP	\$247.11
60x48x10	I-604810DT12	330	\$1,470.00	CI-6048DP	\$247.11
60x60x10	I-606010DT12	390	\$1,615.06	CI-6060DP	\$305.02
72x60x10	I-726010DT12	450	\$1,872.44	CI-7260DP	\$362.30
72x72x10	I-727210DT12	525	\$2,050.76	CI-7272DP	\$433.83
60x48x12	I-604812DT12	360	\$1,502.72	CI-6048DP	\$247.11
60x60x12	I-606012DT12	400	\$1,670.50	CI-6060DP	\$305.02
72x60x12	I-726012DT12	475	\$1,906.48	CI-7260DP	\$362.30
72x72x12	I-727212DT12	560	\$2,116.42	CI-7272DP	\$433.83
60x48x16	I-604816DT12	420	\$1,587.90	CI-6048DP	\$247.11
60x60x16	I-606016DT12	520	\$1,764.00	CI-6060DP	\$305.02
72x60x16	I-726016DT12	582	\$2,016.20	CI-7260DP	\$362.30
72x72x16	I-727216DT12	630	\$2,197.78	CI-7272DP	\$433.83
60x48x20	I-604820DT12	486	\$1,670.52	CI-6048DP	\$247.11
72x60x20	I-726020DT12	577	\$2,114.60	CI-7260DP	\$362.30
72x72x20	I-727220DT12	650	\$2,371.90	CI-7272DP	\$433.83
60x48x24	I-604824DT12	500	\$1,749.00	CI-6048DP	\$247.11
60x60x24	I-606024DT12	566	\$1,960.00	CI-6060DP	\$305.02
72x60x24	I-726024DT12	614	\$2,200.50	CI-7260DP	\$362.30
72x72x24	I-727224DT12	690	\$2,502.00	CI-7272DP	\$433.83

# TYPE 12 PAINTED FLOOR MOUNTED DOUBLE DOOR ENCLOSURES



COMPLETE DETAILS AVAILABLE ON OUR WEB SITE

## TYPE 12 PAINTED FREE STANDING SINGLE DOOR ENCLOSURES

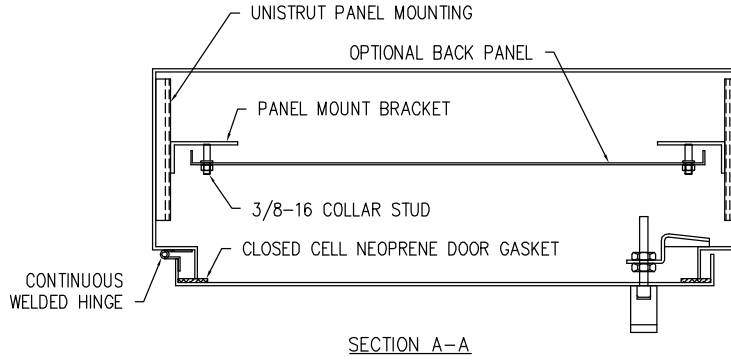
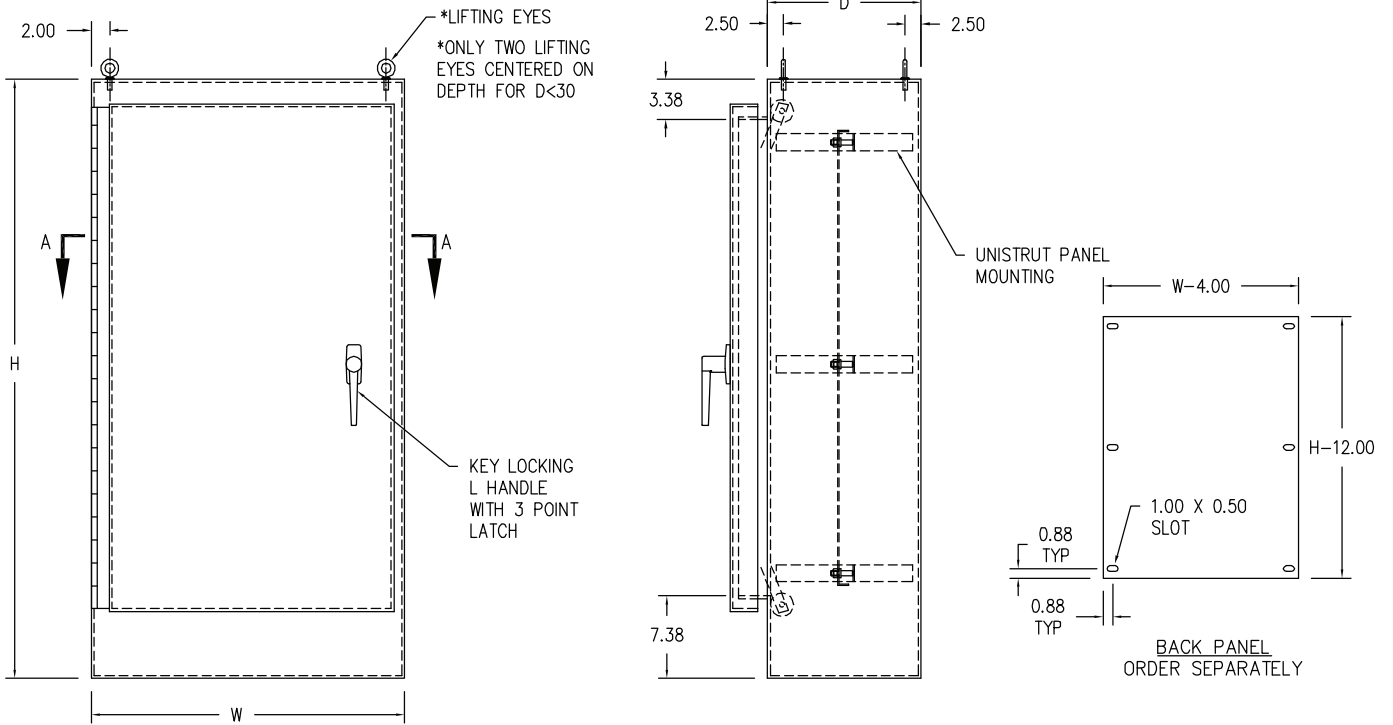


**Construction:** C & I Enclosures Type 12 Painted Free Standing Single Door Enclosures are fabricated in accordance with U.L. specifications from code gauge material. An oil resistant gasket is attached to the door. The enclosures are provided with a continuous hinge. A three point latch is provided which incorporates roller arms to hold the door securely closed. Each enclosure is provided with lifting eyes for easy handling. All seams are continuously welded and ground smooth. Collar studs or uni-strut are provided for mounting optional panels.

**Finish:** C & I Enclosures Type 12 Painted Free Standing Single Door Enclosures are provided with an ANSI 61 gray polyester powdercoating inside and out over paint grip galvanized steel.

Enclosure Size HxWxD	Catalog Number	Weight	List Price	Panel	List Price
72x24x18	I-722418FST12	246	\$1,116.54	CI-7224FP	\$208.64
72x30x18	I-723018FST12	285	\$1,203.16	CI-7230FP	\$242.00
72x36x18	I-723618FST12	325	\$1,303.30	CI-7236FP	\$276.50
90x36x20	I-903620FST12	406	\$1,559.90	CI-9036FP	\$338.74
72x24x24	I-722424FST12	300	\$1,196.94	CI-7224FP	\$208.64
72x30x24	I-723024FST12	335	\$1,337.84	CI-7230FP	\$242.00
72x36x24	I-723624FST12	370	\$1,497.30	CI-7236FP	\$276.50
90x36x24	I-903624FST12	440	\$1,702.00	CI-9036FP	\$338.74
72x24x30	I-722430FST12	355	\$1,599.16	CI-7224FP	\$208.64
72x36x30	I-723630FST12	420	\$1,650.72	CI-7236FP	\$276.50
72x24x36	I-722436FST12	400	\$1,779.08	CI-7224FP	\$208.64
72x36x36	I-723636FST12	465	\$1,891.14	CI-7236FP	\$276.50
90x36x36	I-903636FST12	525	\$2,147.46	CI-9036FP	\$338.74

# TYPE 12 PAINTED FREE STANDING SINGLE DOOR ENCLOSURES



COMPLETE DETAILS AVAILABLE ON OUR WEB SITE

## TYPE 12 PAINTED FREE STANDING DOUBLE DOOR ENCLOSURES

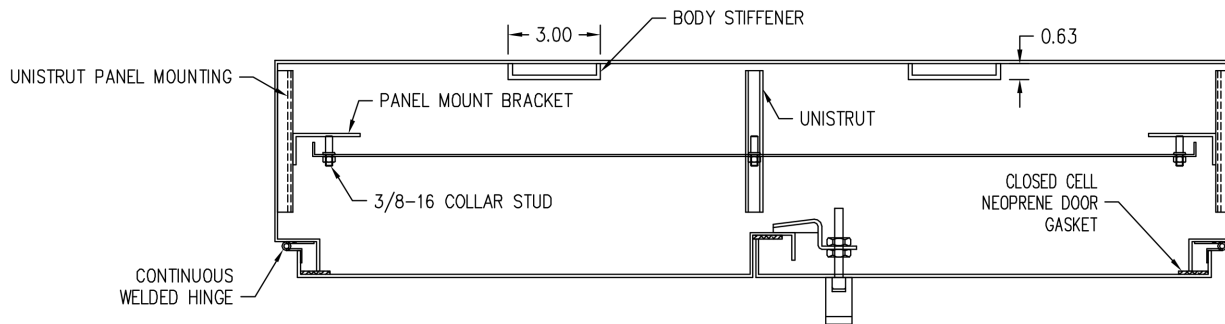
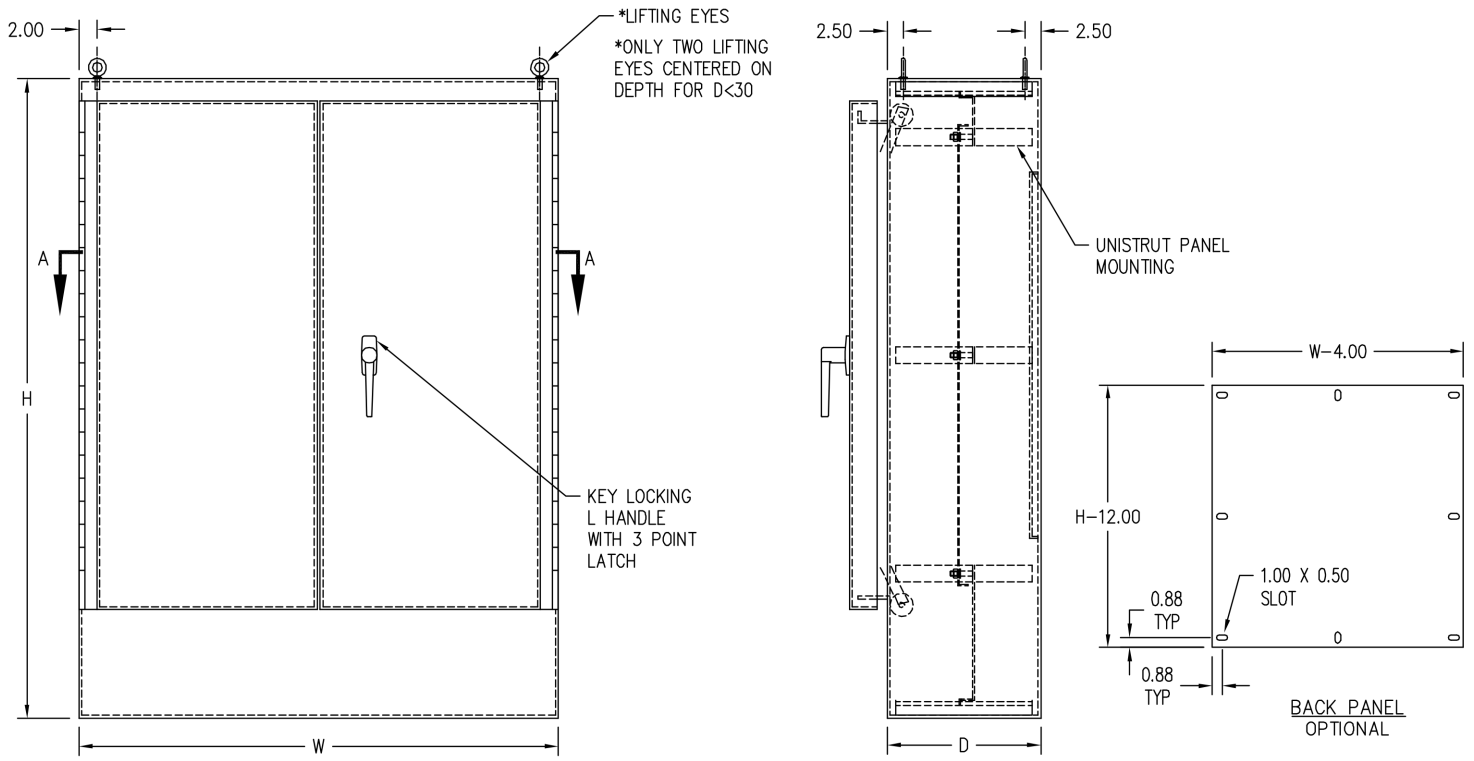


**Construction:** C & I Enclosures Type 12 Painted Free Standing Double Door Enclosures are fabricated in accordance with U.L. specifications from code gauge material. An oil resistant gasket is attached to the doors. The enclosures are provided with continuous hinges. The enclosures have overlapping doors which eliminate the need for a centerpost. A three point latch is provided which incorporates roller arms to hold the doors securely closed. Each enclosure is provided with lifting eyes for easy handling. All seams are continuously welded and ground smooth. Collar studs or uni-strut are provided for mounting optional panels.

**Finish:** C & I Enclosures Type 12 Painted Free Standing Double Door Enclosures are provided with an ANSI 61 gray polyester powdercoating inside and out over paint grip galvanized steel.

Enclosure Size HxWxD	Catalog Number	Weight	List Price	Panel	List Price
72x48x18	I-724818FSDT12	500	\$2,079.08	CI-7248FDP	\$436.72
72x60x18	I-726018FSDT12	568	\$2,362.50	CI-7260FDP	\$519.00
72x72x18	I-727218FSDT12	645	\$2,600.02	CI-7272FDP	\$562.70
90x72x20	I-907220FSDT12	781	\$3,117.98	CI-9072FDP	\$696.42
72x48x24	I-724824FSDT12	560	\$2,298.70	CI-7248FDP	\$436.72
72x60x24	I-726024FSDT12	645	\$2,523.10	CI-7260FDP	\$519.00
72x72x24	I-727224FSDT12	695	\$2,936.28	CI-7272FDP	\$562.70
90x72x24	I-907224FSDT12	825	\$3,640.73	CI-9072FDP	\$696.42
72x60x36	I-726036FSDT12	750	\$3,226.50	CI-7260FDP	\$519.00
90x72x36	I-907236FSDT12	1000	\$3,709.70	CI-9072FDP	\$696.42

# TYPE 12 PAINTED FREE STANDING DOUBLE DOOR ENCLOSURES



SECTION A-A

COMPLETE DETAILS AVAILABLE ON OUR WEB SITE



## TYPE 4 PAINTED J.I.C. CONTINUOUS HINGE BOXES



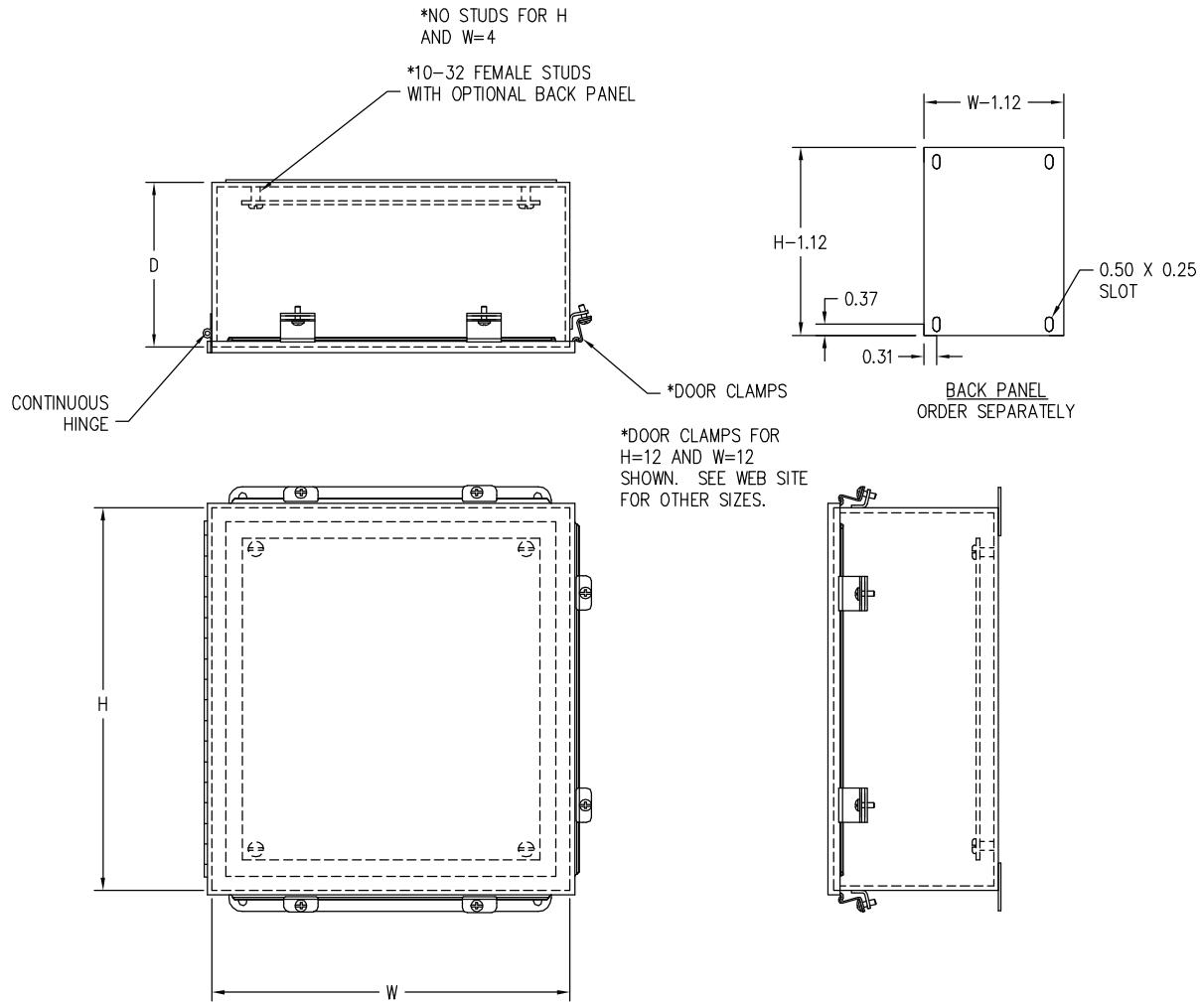
*Stainless Enclosure Pictured*

**Construction:** C & I Enclosures Type 4 Painted J.I.C. Continuous Hinge Boxes are fabricated in accordance with U.L. specifications from code gauge material. An oil resistant gasket is attached to the cover to prevent moisture or dust from entering the box. The boxes are provided with a continuous hinge and external screw clamps on three sides. All seams are continuously welded and ground smooth. External mounting feet are provided along with studs for mounting optional panels.

**Finish:** C & I Enclosures Type 4 Painted J.I.C. Continuous Hinge Boxes are provided with an ANSI 61 gray polyester powdercoating inside and out over paint grip galvanized steel.

Enclosure Size HxWxD	Catalog Number	Weight	List Price	Panel	List Price
4x4x3	I-443JHT4	2	\$50.02	No Panel	
6x4x3	I-643JHT4	3	\$54.22	CI-64JHP	\$2.98
6x6x4	I-664JHT4	4	\$61.54	CI-66JHP	\$3.56
8x6x4	I-864JHT4	6	\$73.44	CI-86JHP	\$4.02
10x8x4	I-1084JHT4	8	\$83.90	CI-108JHP	\$5.58
12x10x5	I-12105JHT4	12	\$106.40	CI-1210JHP	\$7.56
10x8x6	I-1086JHT4	13	\$91.46	CI-108JHP	\$5.58
10x10x6	I-10106JHT4	10	\$103.38	CI-1010JHP	\$6.42
12x10x6	I-12106JHT4	14	\$107.37	CI-1210JHP	\$7.56
12x12x6	I-12126JHT4	15	\$111.36	CI-1212JHP	\$8.70
14x12x6	I-14126JHT4	17	\$128.74	CI-1412JHP	\$10.24
16x14x6	I-16146JHT4	20	\$155.16	CI-1614JHP	\$13.42

# TYPE 4 PAINTED J.I.C. CONTINUOUS HINGE BOXES



COMPLETE DETAILS AVAILABLE ON OUR WEB SITE

## TYPE 4 PAINTED SINGLE DOOR ENCLOSURES



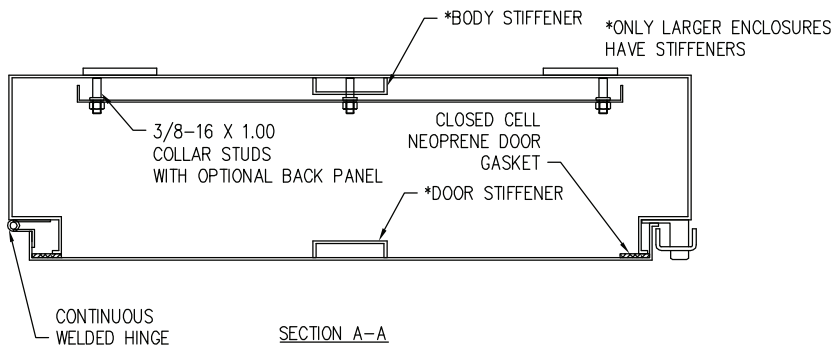
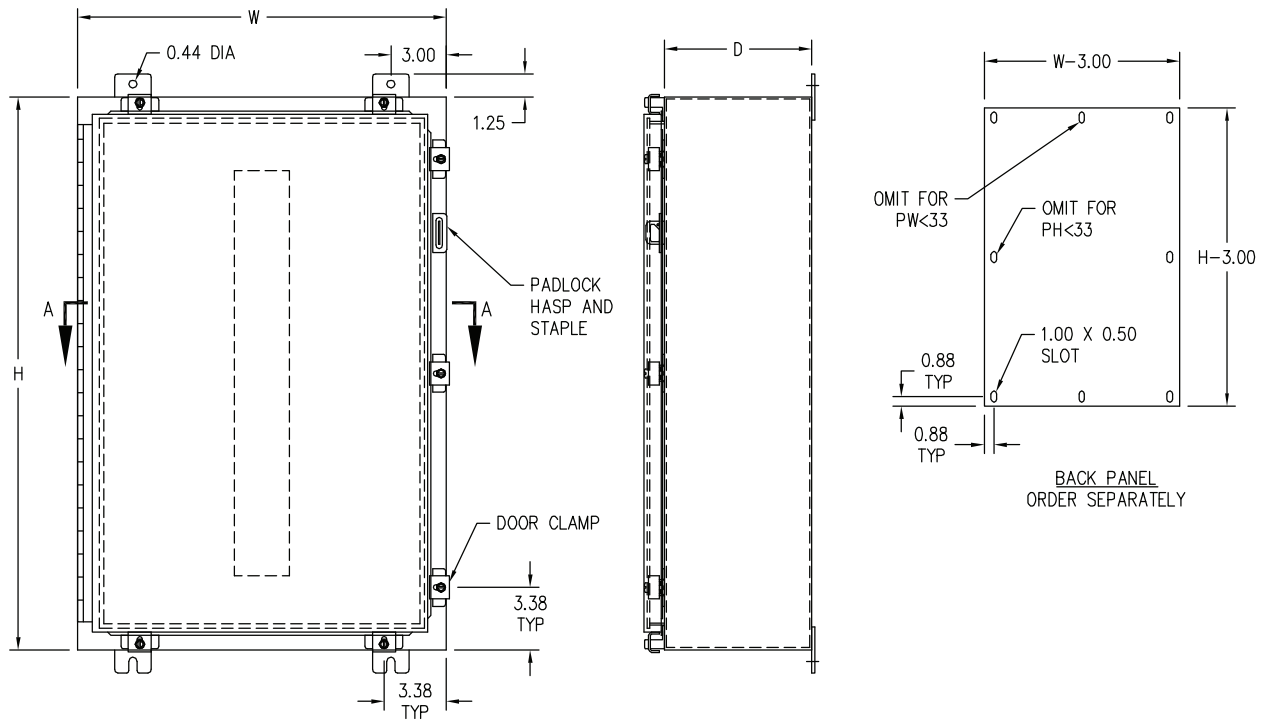
*Stainless Enclosure Pictured*

**Construction:** C & I Enclosures Type 4 Painted Single Door Enclosures are fabricated in accordance with U.L. specifications from code gauge material. A rolled lip is provided around three sides of the door and all sides of the enclosure opening to prevent dirt and water from falling into the enclosure when the door is opened. An oil resistant gasket is attached to the cover. The enclosures are provided with a continuous hinge and door clamps on three sides. A hasp and staple are provided for padlocking. All seams are continuously welded and ground smooth. External mounting feet are provided along with studs for mounting optional panels.

**Finish:** C & I Enclosures Type 4 Painted Single Door Enclosures are provided with an ANSI 61 gray polyester powdercoating inside and out over paint grip galvanized steel.

Enclosure Size HxWxD	Catalog Number	Weight	List Price	Panel	List Price
16x12x6	I-16126T4	23	\$265.00	CI-1612P	\$19.50
16x16x6	I-16166T4	28	\$270.56	CI-1616P	\$24.00
20x16x6	I-20166T4	32	\$300.00	CI-2016P	\$28.50
20x20x6	I-20206T4	38	\$324.70	CI-2020P	\$34.42
24x12x6	I-24126T4	31	\$297.36	CI-2412P	\$28.72
24x16x6	I-24166T4	37	\$328.70	CI-2416P	\$33.50
24x20x6	I-24206T4	43	\$357.80	CI-2420P	\$44.96
24x24x6	I-24246T4	49	\$384.74	CI-2424P	\$50.22
30x20x6	I-30206T4	53	\$389.34	CI-3020P	\$52.64
30x24x6	I-30246T4	60	\$423.70	CI-3024P	\$63.04
36x24x6	I-36246T4	69	\$465.58	CI-3624P	\$75.98
16x12x8	I-16128T4	25	\$277.08	CI-1612P	\$19.50
20x16x8	I-20168T4	35	\$314.92	CI-2016P	\$28.50
20x20x8	I-20208T4	42	\$345.78	CI-2020P	\$34.42
24x20x8	I-24208T4	47	\$361.00	CI-2420P	\$44.96
24x24x8	I-24248T4	54	\$400.00	CI-2424P	\$50.22
30x20x8	I-30208T4	57	\$413.08	CI-3020P	\$52.64
30x24x8	I-30248T4	65	\$456.54	CI-3024P	\$63.04
30x30x8	I-30308T4	78	\$502.42	CI-3030P	\$77.50
36x24x8	I-36248T4	74	\$499.74	CI-3624P	\$75.98
36x30x8	I-36308T4	92	\$538.70	CI-3630P	\$99.16
48x36x8	I-48368T4	139	\$717.94	CI-4836P	\$152.47
60x36x8	I-60368T4	167	\$862.58	CI-6036P	\$185.88
20x16x10	I-201610T4	39	\$334.32	CI-2016P	\$28.50
24x20x10	I-242010T4	52	\$378.68	CI-2420P	\$44.96
30x24x10	I-302410T4	70	\$465.70	CI-3024P	\$63.04
36x30x10	I-363010T4	98	\$582.00	CI-3630P	\$99.16
48x30x10	I-483010T4	125	\$699.74	CI-4830P	\$127.26
48x36x10	I-483610T4	147	\$751.50	CI-4836P	\$152.47
60x36x10	I-603610T4	176	\$915.18	CI-6036P	\$185.88
30x24x12	I-302412T4	62	\$497.14	CI-3024P	\$63.04
36x30x12	I-363012T4	104	\$620.00	CI-3630P	\$99.16
48x36x12	I-483612T4	154	\$802.50	CI-4836P	\$152.47
36x30x16	I-363016T4	136	\$698.70	CI-3630P	\$99.16
48x36x16	I-483616T4	168	\$742.00	CI-4836P	\$152.47
60x36x16	I-603616T4	233	\$870.00	CI-6036P	\$185.88

# TYPE 4 PAINTED SINGLE DOOR ENCLOSURES



COMPLETE DETAILS AVAILABLE ON OUR WEB SITE

## TYPE 4 PAINTED FLOOR MOUNTED DOUBLE DOOR ENCLOSURES



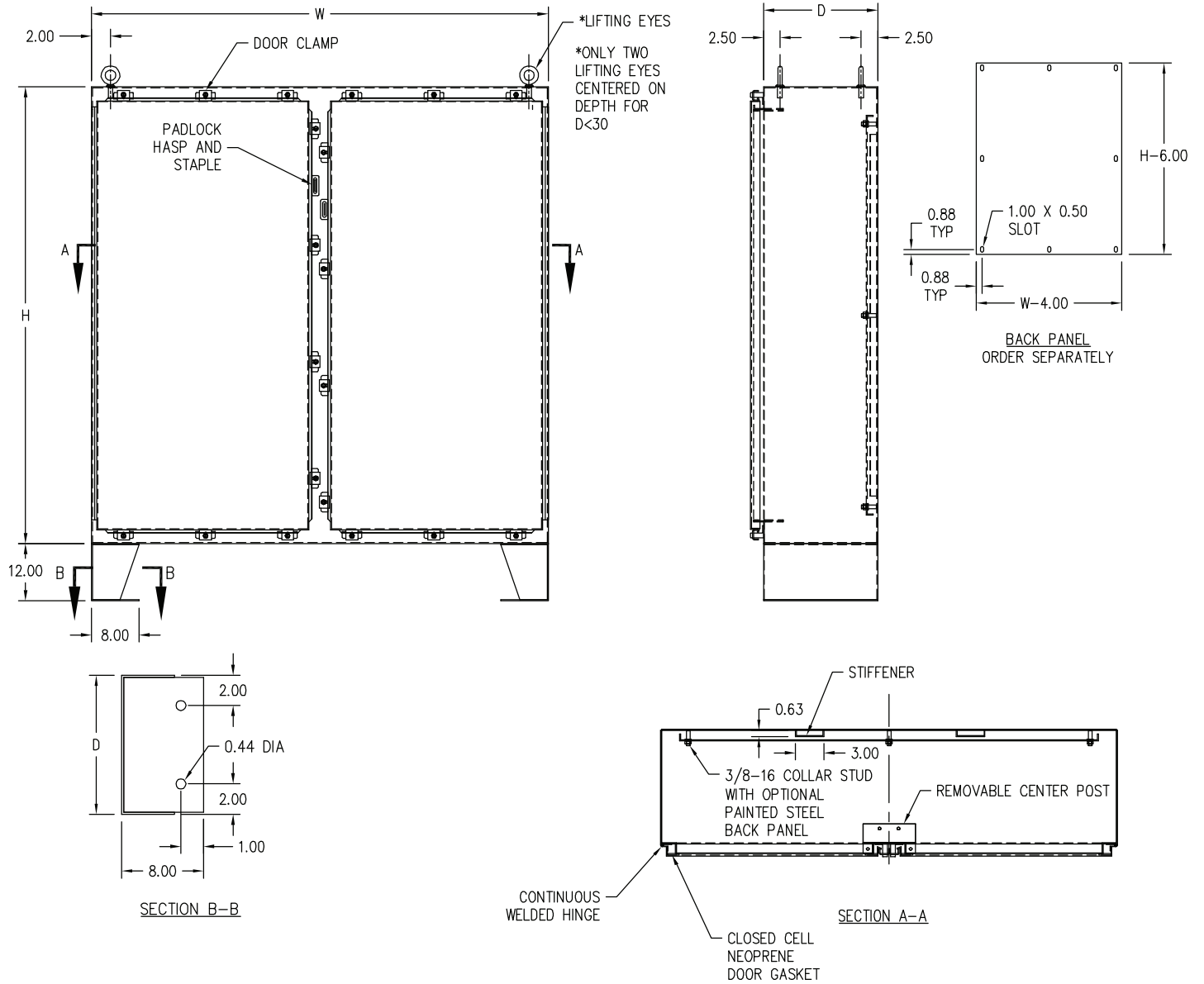
Stainless Enclosure Pictured

**Construction:** C & I Enclosures Type 4 Painted Floor Mounted Double Door Enclosures are fabricated in accordance with U.L. specifications from code gauge material. A rolled lip is provided around three sides of each door and along the top of the enclosure opening to exclude liquids and contaminants. An oil resistant gasket is attached to the doors. The enclosures are provided with continuous hinges and door clamps on three sides of each door to insure a water-tight seal. A hasp and staple are provided on each door for padlocking. These enclosures have a removable centerpost for easy access to the enclosure. Each enclosure is provided with lifting eyes for easy handling. All seams are continuously welded and ground smooth. Collar studs are provided for mounting panels.

**Finish:** C & I Enclosures Type 4 Painted Floor Mounted Double Door Enclosures are provided with an ANSI 61 gray polyester powdercoating inside and out over paint grip galvanized steel.

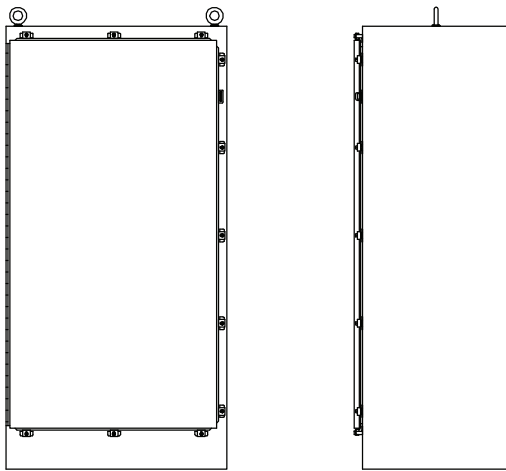
Enclosure Size HxWxD	Catalog Number	Weight	List Price	Panel	List Price
62x48x10	I-624810DT4	357	\$1,774.42	CI-6048DP	\$247.11
62x60x12	I-626012DT4	507	\$2,102.60	CI-6060DP	\$305.02
74x60x12	I-746012DT4	560	\$2,270.48	CI-7260DP	\$362.30
74x72x12	I-747212DT4	626	\$2,631.74	CI-7272DP	\$433.83

# TYPE 4 PAINTED FLOOR MOUNTED DOUBLE DOOR ENCLOSURES



COMPLETE DETAILS AVAILABLE ON OUR WEB SITE

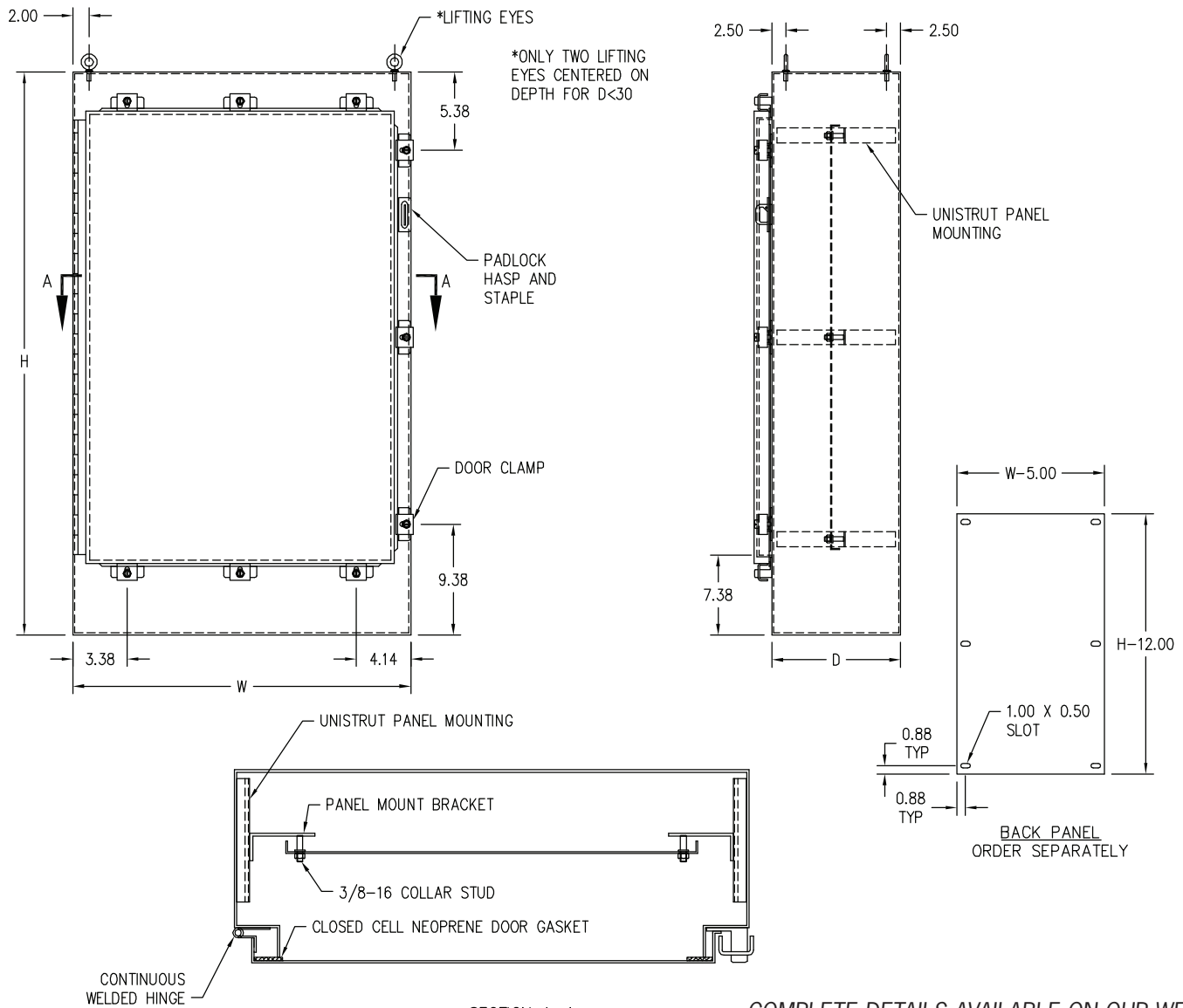
# TYPE 4 PAINTED FREE STANDING SINGLE DOOR ENCLOSURES



**Construction:** C & I Enclosures Type 4 Painted Free Standing Single Door Enclosures are fabricated in accordance with U.L. specifications from code gauge material. A rolled lip is provided around three sides of each door and along the top of the enclosure opening to exclude liquids and contaminants. An oil resistant gasket is attached to the door. The enclosures are provided with a continuous hinge and door clamps on three sides to insure a water-tight seal. A hasp and staple are provided for padlocking. All seams are continuously welded and ground smooth. Collar studs or uni-strut are provided for mounting optional panels.

**Finish:** C & I Enclosures Type 4 Painted Free Standing Single Door Enclosures are provided with an ANSI 61 gray polyester powder coating inside and out over paint grip galvanized steel.

Enclosure Size HxWxD	Catalog Number	Weight	List Price	Panel	List Price
72x25x18	I-722518FST4	258	\$1,406.00	CI-7224FP	\$208.64
72x31x24	I-723124FST4	347	\$1,698.50	CI-7230FP	\$242.00
72x37x24	I-723724FST4	383	\$1,868.48	CI-7236FP	\$276.50



SECTION A-A

COMPLETE DETAILS AVAILABLE ON OUR WEB SITE

## TYPE 4X STAINLESS STEEL J.I.C. CONTINUOUS HINGE BOXES



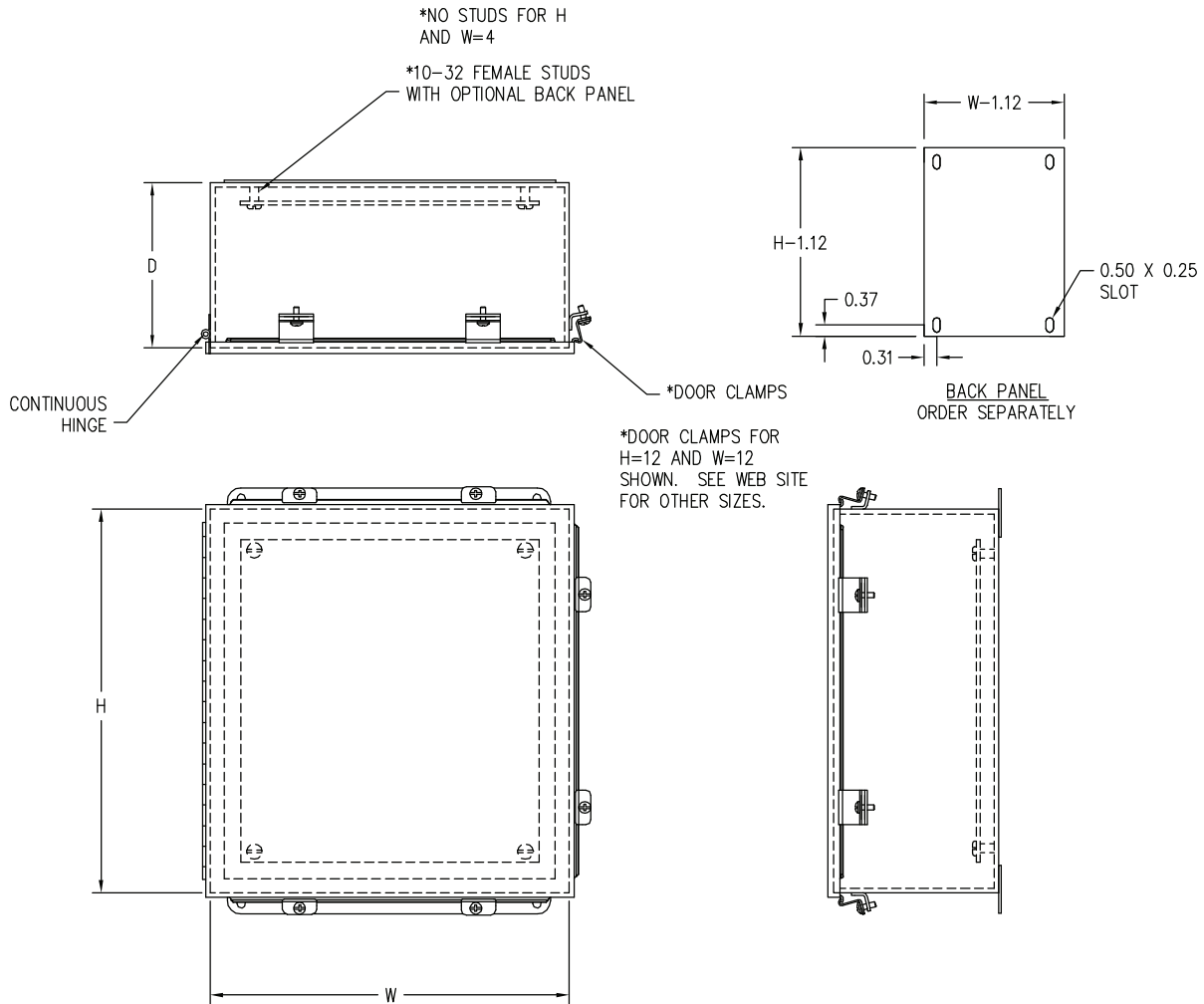
**Construction:** C & I Enclosures Type 4X Stainless Steel J.I.C. Continuous Hinge Boxes are fabricated in accordance with U.L. specifications from code gauge Type 304 Stainless Steel. An oil resistant gasket is attached to the cover to prevent moisture or dust from entering the box. The boxes are provided with a continuous hinge and external screw clamps on three sides. All seams are continuously welded and ground smooth. External mounting feet are provided along with studs for mounting optional panels.

**Finish:** C & I Enclosures Type 4X Stainless Steel J.I.C. Continuous Hinge Boxes are provided unpainted and have a brushed finish on the exterior.

Enclosure Size HxWxD	Catalog Number	Weight	List Price	Panel	List Price
6x6x4	I-664SJHT4X	5	\$177.14	CI-66JHP	\$3.56
8x6x4	I-864SJHT4X	6	\$195.12	CI-86JHP	\$4.02
8x8x4	I-884SJHT4X	7	\$219.70	CI-88JHP	\$4.72
10x8x4	I-1084SJHT4X	9	\$250.00	CI-108JHP	\$5.58
12x10x6	I-12106SJHT4X	15	\$302.60	CI-1210JHP	\$7.56
12x12x6	I-12126SJHT4X	16	\$337.08	CI-1212JHP	\$8.70
14x12x6	I-14126SJHT4X	17	\$410.78	CI-1412JHP	\$10.24
16x14x6	I-16146SJHT4X	20	\$470.84	CI-1614JHP	\$13.42



# TYPE 4X STAINLESS STEEL J.I.C. CONTINUOUS HINGE BOXES



COMPLETE DETAILS AVAILABLE ON OUR WEB SITE

## TYPE 4X STAINLESS STEEL SINGLE DOOR ENCLOSURES

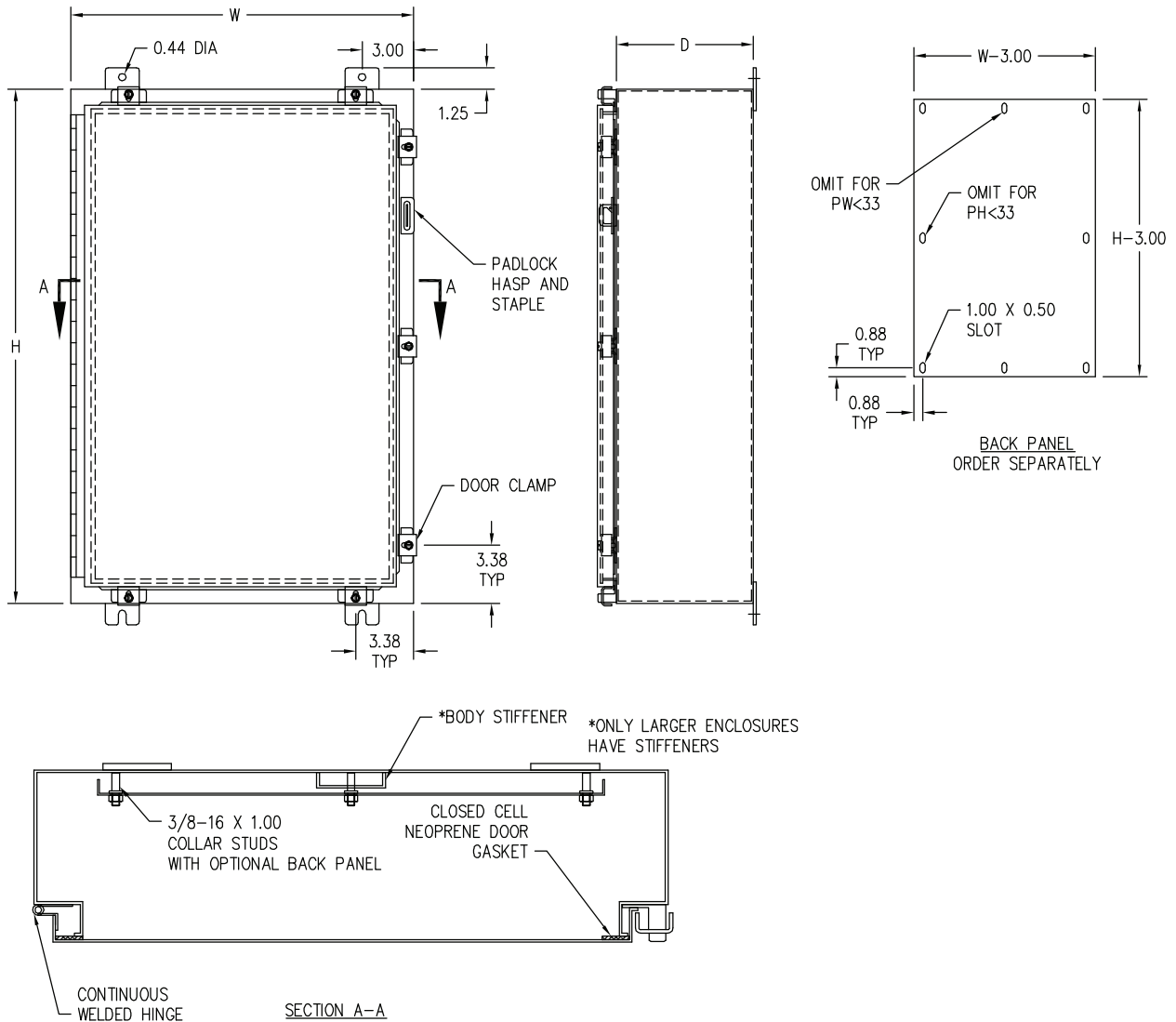


**Construction:** C & I Enclosures Type 4X Stainless Steel Single Door Enclosures are fabricated in accordance with U.L. specifications from code gauge Type 304 Stainless Steel. A rolled lip is provided around three sides of the door and all sides of the enclosure opening to prevent dirt and water from falling into the enclosure when the door is opened. An oil resistant gasket is attached to the cover. The enclosures are provided with a continuous hinge and door clamps on three sides to insure a water-tight seal. A hasp and staple are provided for padlocking. All seams are continuously welded and ground smooth. External mounting feet are provided along with studs for mounting optional panels.

**Finish:** C & I Enclosures Type 4X Stainless Steel Single Door Enclosures are provided unpainted and have a brushed finish on the exterior.

Enclosure Size HxWxD	Catalog Number	Weight	List Price	Panel	List Price
16x12x6	I-16126ST4X	16	\$588.22	CI-1612P	\$19.50
16x16x6	I-16166ST4X	20	\$609.14	CI-1616P	\$24.50
20x16x6	I-20166ST4X	23	\$673.72	CI-2016P	\$28.50
20x20x6	I-20206ST4X	28	\$779.50	CI-2020P	\$34.42
24x24x6	I-24246ST4X	38	\$859.74	CI-2424P	\$50.22
16x12x8	I-16128ST4X	25	\$626.89	CI-1612P	\$19.50
24x20x8	I-24208ST4X	44	\$923.90	CI-2420P	\$44.96
24x24x8	I-24248ST4X	42	\$976.42	CI-2424P	\$50.22
30x20x8	I-30208ST4X	43	\$1,039.44	CI-3020P	\$52.64
30x24x8	I-30248ST4X	50	\$1,134.48	CI-3024P	\$63.04
36x24x8	I-36248ST4X	58	\$1,256.70	CI-3624P	\$75.98
36x30x8	I-36308ST4X	98	\$1,457.30	CI-3630P	\$99.16
48x36x8	I-48368ST4X	146	\$2,000.00	CI-4836P	\$152.47
20x16x10	I-201610ST4X	30	\$800.64	CI-2016P	\$28.50
24x20x10	I-242010ST4X	40	\$986.00	CI-2420P	\$44.96
36x24x10	I-362410ST4X	64	\$1,359.38	CI-3624P	\$75.98
36x30x10	I-363010ST4X	106	\$1,599.00	CI-3630P	\$99.16
24x24x12	I-242412ST4X	50	\$1,137.90	CI-2424P	\$50.22
30x24x12	I-302412ST4X	59	\$1,295.36	CI-3024P	\$63.04
36x30x12	I-363012ST4X	114	\$1,670.50	CI-3630P	\$99.16
36x36x12	I-363612ST4X	114	\$1,860.57	CI-3636P	\$116.02
48x36x12	I-483612ST4X	166	\$2,271.56	CI-4836P	\$152.47
60x36x12	I-603612ST4X	200	\$2,601.00	CI-6036P	\$185.88

# TYPE 4X STAINLESS STEEL SINGLE DOOR ENCLOSURES



COMPLETE DETAILS AVAILABLE ON OUR WEB SITE

## TYPE 4X STAINLESS STEEL FLOOR MOUNTED DOUBLE DOOR ENCLOSURES

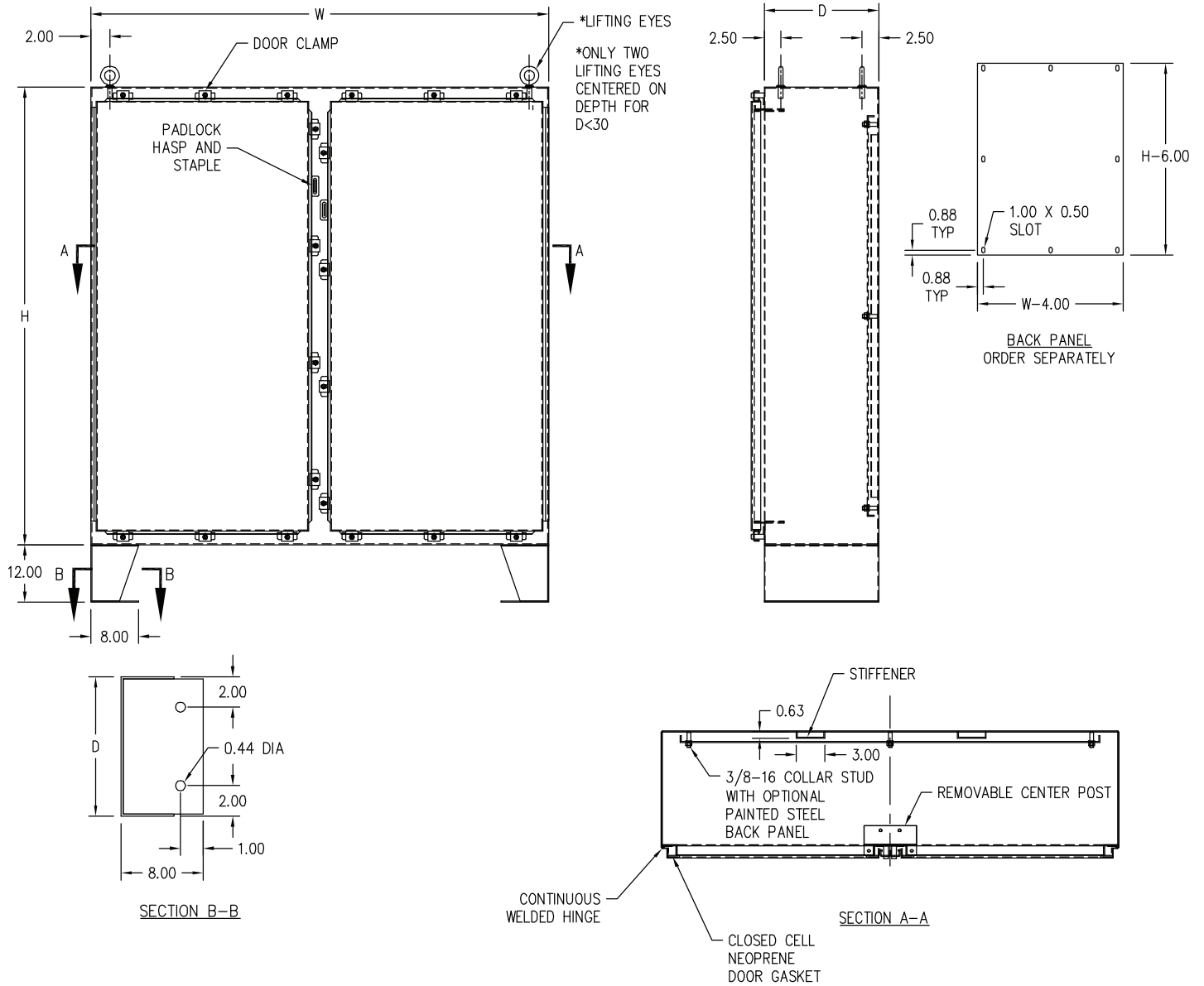


**Construction:** C & I Enclosures Type 4X Stainless Steel Floor Mounted Double Door Enclosures are fabricated in accordance with U.L. specifications from code gauge Type 304 Stainless Steel. A rolled lip is provided around three sides of each door and along the top of the enclosure opening to exclude liquids and contaminants. An oil resistant gasket is attached to the doors. The enclosures are provided with continuous hinges and door clamps on three sides of each door to insure a water-tight seal. A hasp and staple are provided on each door for padlocking. These enclosures have a removable centerpost for easy access to the enclosure. Each enclosure is provided with lifting eyes for easy handling. All seams are continuously welded and ground smooth. Collar studs are provided for mounting optional panels.

**Finish:** C & I Enclosures Type 4X Stainless Steel Floor Mounted Double Door Enclosures are provided unpainted and have a brushed finish on the exterior.

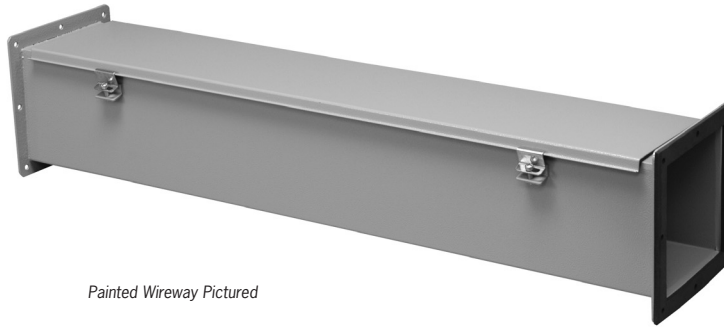
Enclosure Size HxWxD	Catalog Number	Weight	List Price	Panel	List Price
62x48x10	I-624810SDT4X	351	\$5,884.78	CI-6048DP	\$247.11
62x60x12	I-626012SDT4X	500	\$7,172.24	CI-6060DP	\$305.02
74x60x12	I-746012SDT4X	562	\$7,708.22	CI-7260DP	\$362.30
74x72x12	I-747212SDT4X	625	\$8,882.20	CI-7272DP	\$433.83

# TYPE 4X STAINLESS STEEL FLOOR MOUNTED DOUBLE DOOR ENCLOSURES



COMPLETE DETAILS AVAILABLE ON OUR WEB SITE

## TYPE 4X STAINLESS STEEL FEED-THROUGH WIREWAY



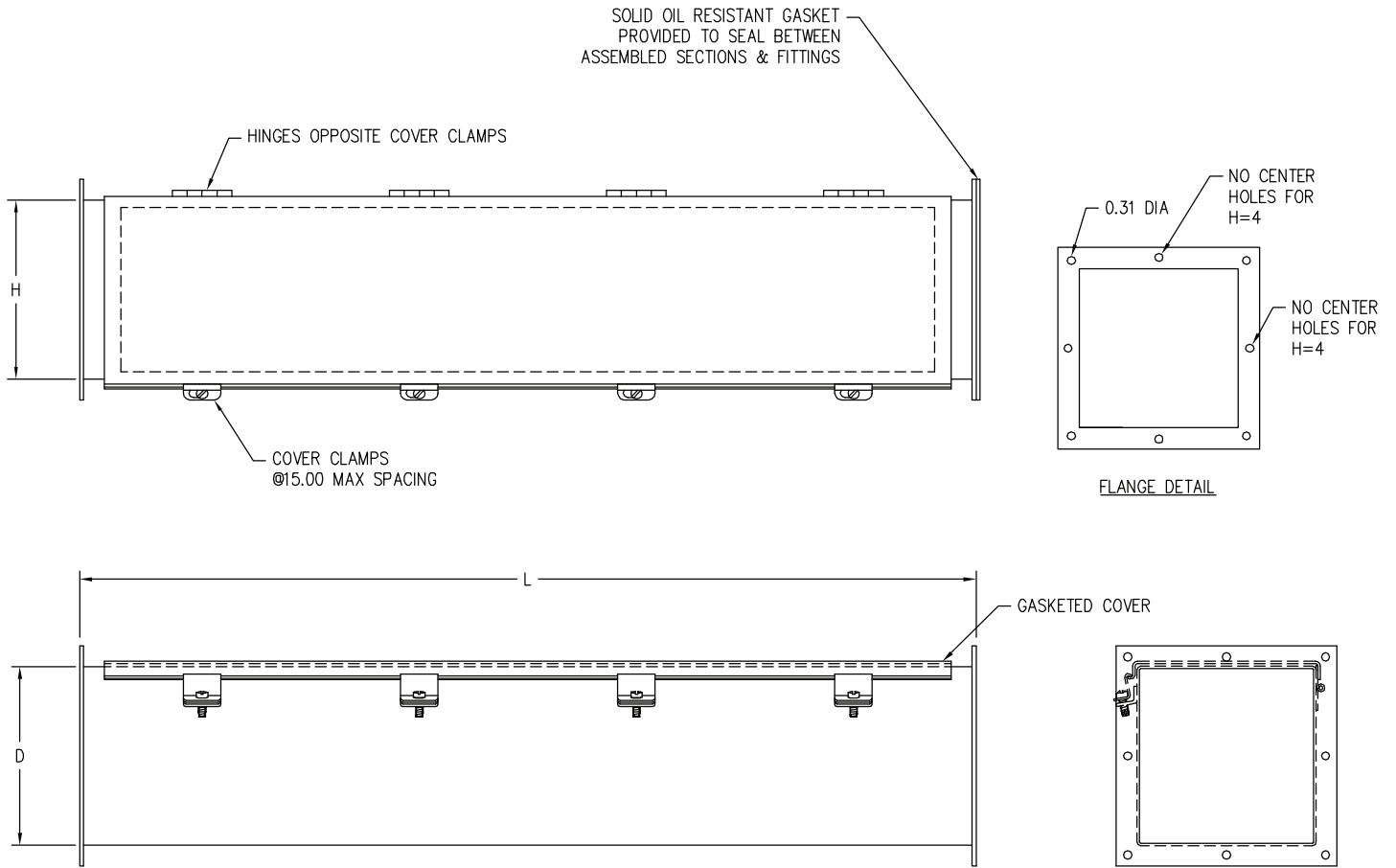
*Painted Wireway Pictured*

**Construction:** C & I Enclosures Type 4X Stainless Steel Feed-Through Wireway is fabricated in accordance with U.L. specifications from code gauge material. An oil resistant gasket is attached to the cover to prevent dust from entering the wireway. The cover is attached to the body with butt hinges on one side and external screw clamps on the other. All seams are continuously welded and ground smooth.

**Finish:** C & I Enclosures Type 4x Stainless Steel Feed-Through Wireway is provided unpainted with a brushed finish on the exterior.

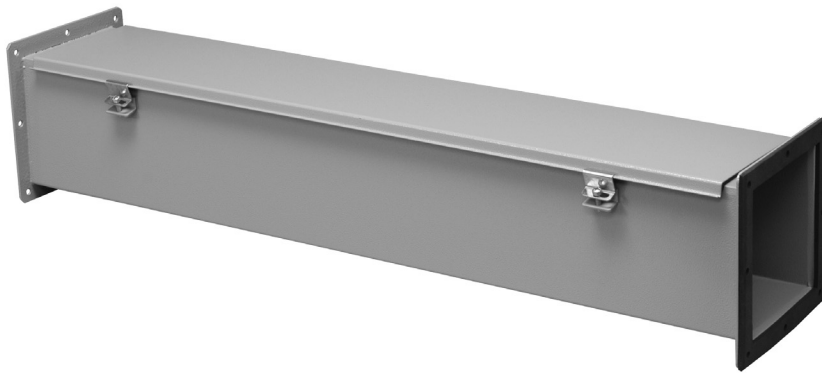
Enclosure Size HxDxL	Catalog Number	Weight	List Price
4x4x12	I-1-44FTWT4XS	7	\$192.96
4x4x24	I-2-44FTWT4XS	12	\$262.30
4x4x36	I-3-44FTWT4XS	17	\$323.04
4x4x48	I-4-44FTWT4XS	21	\$381.84
4x4x60	I-5-44FTWT4XS	26	\$432.70
4x4x120	I-10-44FTWT4XS	55	\$718.00
Closure Plate	I-44-CPFS	1	\$33.74
Tee	I-44-TFS	6	\$230.48
Cross	I-44-CFS	8	\$277.12
90° - Elbow	I-44-90LFS	5	\$194.00
45° - Elbow	I-44-45LFS	3	\$194.00
Box Connector	I-44-BCFS	1	\$44.68
Nipple - 1"	I-44-N1FS	2	\$71.24
Nipple - 2"	I-44-N2FS	2	\$75.74
Nipple - 3"	I-44-N3FS	2	\$82.24
Cut Off Fitting - 12"	I-44-COFS	6	\$235.28
6x6x12	I-1-66FTWT4XS	10	\$262.30
6x6x24	I-2-66FTWT4XS	18	\$351.92
6x6x36	I-3-66FTWT4XS	24	\$440.20
6x6x48	I-4-66FTWT4XS	32	\$537.14
6x6x60	I-5-66FTWT4XS	40	\$627.68
6x6x120	I-10-66FTWT4XS	76	\$1,060.56
Closure Plate	I-66-CPFS	3	\$41.02
Tee	I-66-TFS	10	\$318.70
Cross	I-66-CFS	13	\$446.28
90° - Elbow	I-66-90LFS	8	\$238.00
45° - Elbow	I-66-45LFS	6	\$238.00
Box Connector	I-66-BCFS	1	\$53.56
Nipple - 1"	I-66-N1FS	3	\$135.00
Nipple - 2"	I-66-N2FS	3	\$152.22
Nipple - 3"	I-66-N3FS	4	\$165.02
Cut Off Fitting - 12"	I-66-COFS	8	\$379.28

# TYPE 4X STAINLESS STEEL FEED-THROUGH WIREWAY



COMPLETE DETAILS AVAILABLE ON OUR WEB SITE

## TYPE 12 PAINTED FEED-THROUGH WIREWAY



**Construction:** C & I Enclosures Type 12 Painted Feed-Through Wireway is fabricated in accordance with U.L. specifications from code gauge material. An oil resistant gasket is attached to the cover to prevent dust from entering the wireway. The cover is attached to the body with butt hinges on one side and external screw clamps on the other. All seams are continuously welded and ground smooth.

**Finish:** C & I Enclosures Type 12 Painted Feed-Through Wireway is provided with an ANSI 61 gray polyester powdercoating inside and out over paint grip galvanized steel.

Enclosure Size HxDxL	Catalog Number	Weight	List Price
4x4x12	I-1-44FTWT12	7	\$66.22
4x4x24	I-2-44FTWT12	12	\$83.00
4x4x36	I-3-44FTWT12	17	\$103.24
4x4x48	I-4-44FTWT12	21	\$120.20
4x4x60	I-5-44FTWT12	26	\$138.52
4x4x120	I-10-44FTWT12	55	\$227.74
Closure Plate	I-44-CPF	1	\$13.70
Tee	I-44-TF	6	\$90.22
Cross	I-44-CF	8	\$125.16
90° - Elbow	I-44-9OLF	5	\$72.50
45° - Elbow	I-44-45LF	3	\$72.50
Box Connector	I-44-BCF	1	\$17.08
Nipple - 1"	I-44-N1F	2	\$49.00
Nipple - 2"	I-44-N2F	2	\$52.62
Nipple - 3"	I-44-N3F	2	\$54.24
Cut Off Fitting - 12"	I-44-COF	6	\$54.02
Drop Hanger	I-44DHF	2	\$15.74
Bracket Hanger	I-44BHF	1	\$10.20
6x6x12	I-1-66FTWT12	10	\$84.02
6x6x24	I-2-66FTWT12	18	\$110.72
6x6x36	I-3-66FTWT12	24	\$144.22
6x6x48	I-4-66FTWT12	32	\$172.76
6x6x60	I-5-66FTWT12	40	\$197.74
6x6x120	I-10-66FTWT12	76	\$337.90
Closure Plate	I-66-CPF	3	\$16.00
Tee	I-66-TF	10	\$122.50
Cross	I-66-CF	13	\$163.34
90° - Elbow	I-66-9OLF	8	\$89.36
45° - Elbow	I-66-45LF	6	\$89.36
Box Connector	I-66-BCF	1	\$22.56
Nipple - 1"	I-66-N1F	3	\$62.00
Nipple - 2"	I-66-N2F	3	\$63.16
Nipple - 3"	I-66-N3F	4	\$67.50
Cut Off Fitting - 12"	I-66-COF	8	\$68.00
Drop Hanger	I-66DHF	4	\$20.42
Bracket Hanger	I-66BHF	3	\$14.56
8x8x12	I-1-88FTWT12	12	\$130.56
8x8x24	I-2-88FTWT12	21	\$171.88
8x8x36	I-3-88FTWT12	32	\$210.24
8x8x48	I-4-88FTWT12	42	\$247.18
8x8x60	I-5-88FTWT12	51	\$290.00
8x8x120	I-10-88FTWT12	99	\$486.50
Closure Plate	I-88-CPF	4	\$23.18
Tee	I-88-TF	15	\$185.94

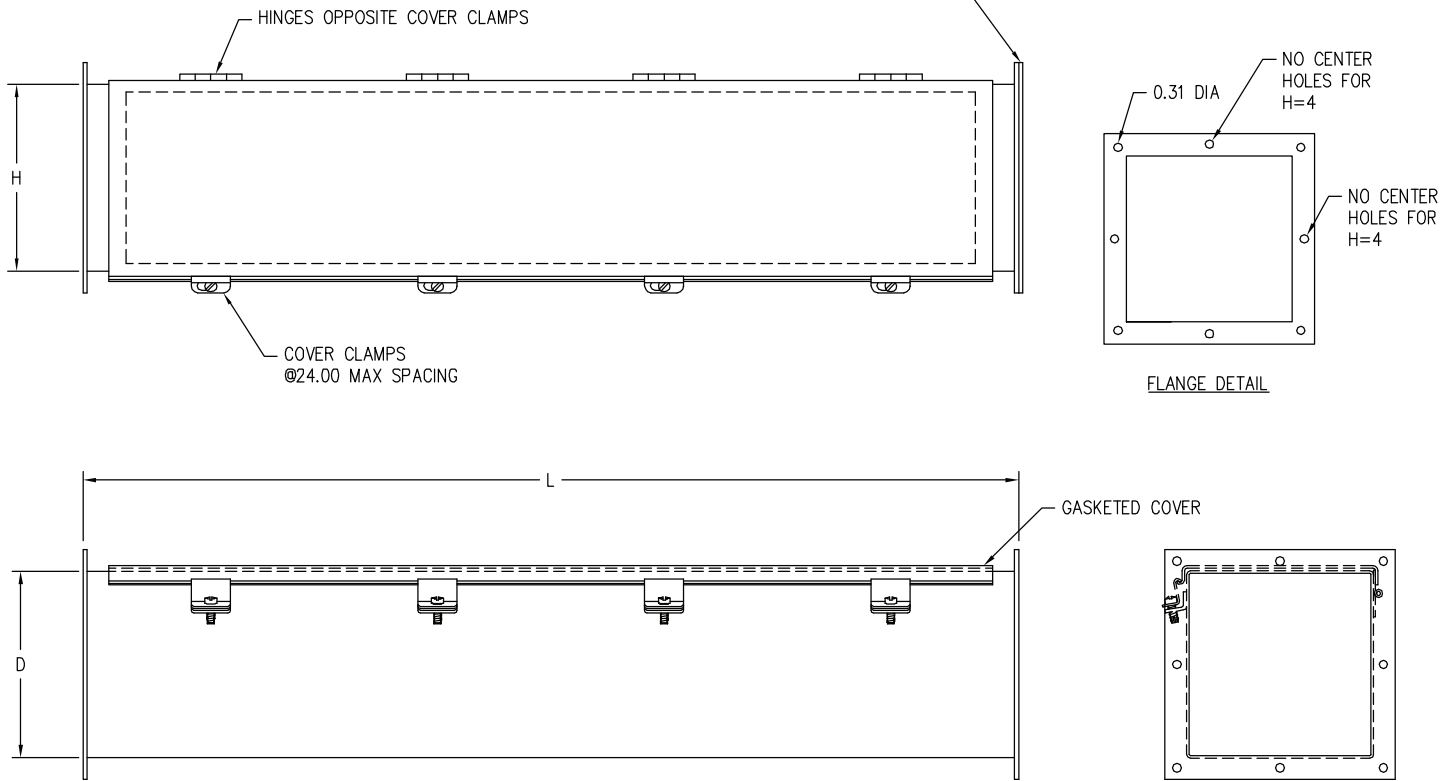


# TYPE 12 PAINTED FEED-THROUGH WIREWAY

Enclosure Size HxWxD	Catalog Number	Weight	List Price
Cross	I-88-CF	18	\$231.36
90° - Elbow	I-88-90LF	12	\$145.74
45° - Elbow	I-88-45LF	9	\$145.74
Box Connector	I-88-BCF	2	\$27.96
Nipple - 1"	I-88-N1F	4	\$85.76
Nipple - 2"	I-88-N2F	4	\$97.04
Nipple - 3"	I-88-N3F	5	\$103.36
Cut Off Fitting - 12"	I-88-COF	11	\$105.90
Drop Hanger	I-88DHF	6	\$45.64
Bracket Hanger	I-88BHF	6	\$41.08

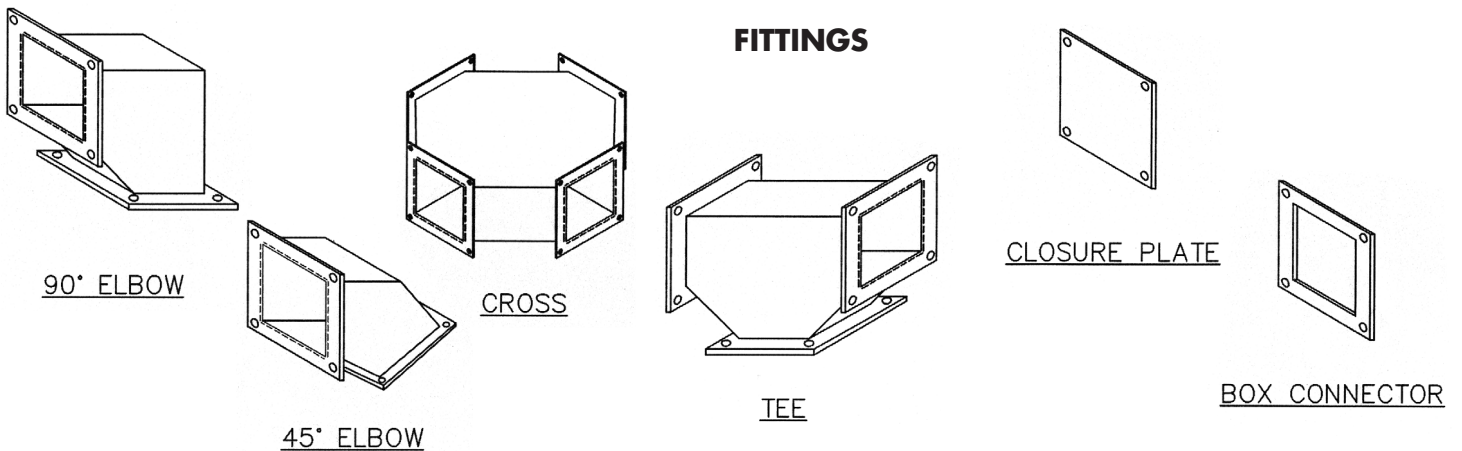
## WIREWAY

SOLID OIL RESISTANT GASKET  
PROVIDED TO SEAL BETWEEN  
ASSEMBLED SECTIONS & FITTINGS

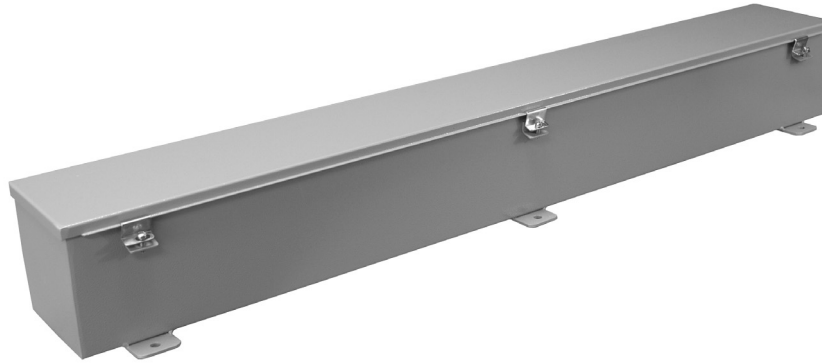


COMPLETE DETAILS AVAILABLE ON OUR WEB SITE

## FITTINGS



## TYPE 12 PAINTED HINGE COVER WIRING TROUGH

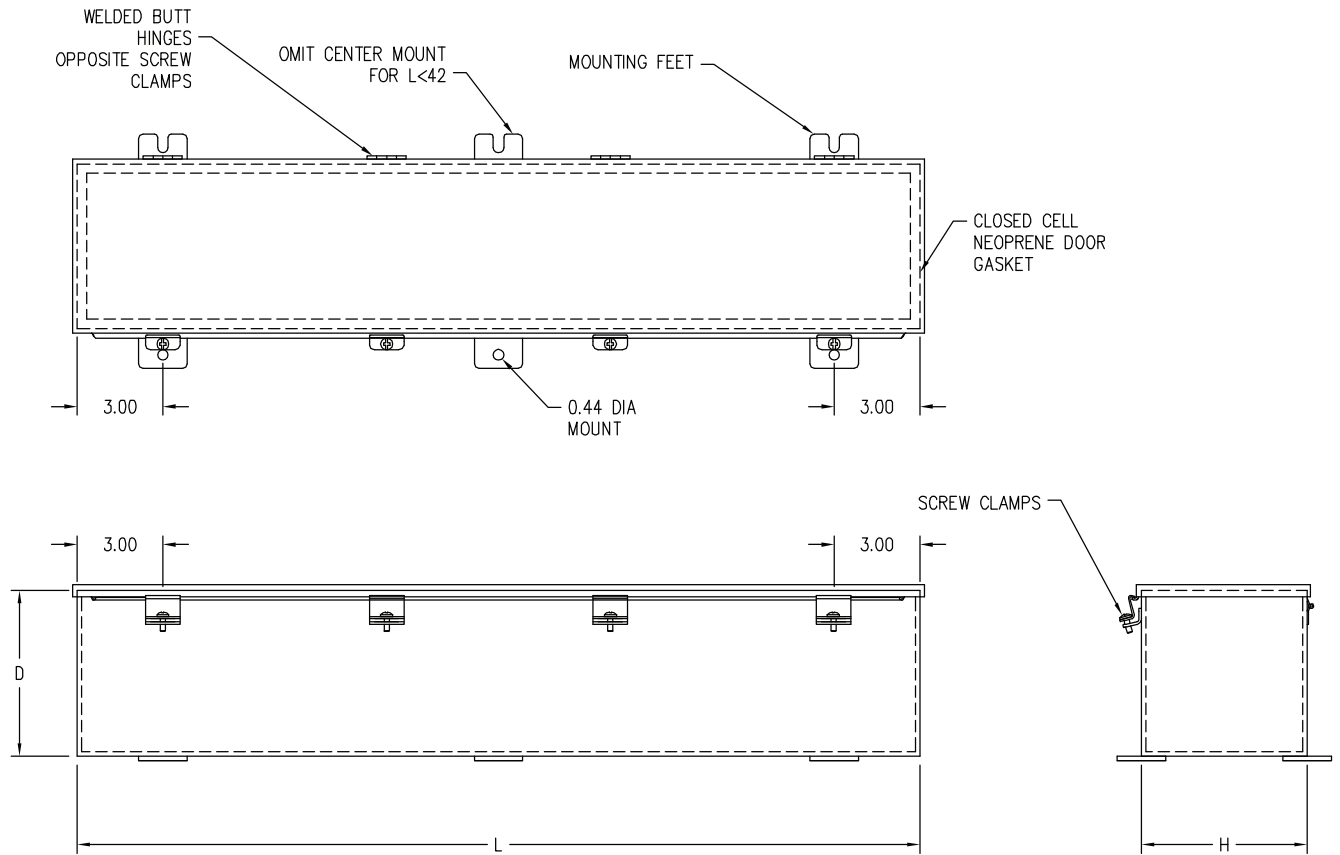


**Construction:** C & I Enclosures Type 12 Hinge Cover Wiring Trough is fabricated in accordance with UL specifications from code gauge steel. An oil resistant gasket is attached to the cover to prevent dust from entering the trough. The cover is attached to the body with butt hinges on one side and external screw clamps on the other. All seams are continuously welded and ground smooth.

**Finish:** C & I Enclosures Type 12 Hinge Cover Wiring Trough is provided with an ANSI 61 gray polyester powdercoating inside and out over paint grip galvanized steel.

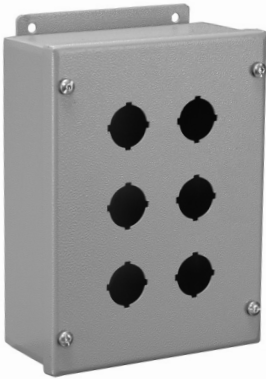
Enclosure Size HxDxL	Catalog Number	Weight	List Price
4x4x12	I-1-44JT	6	\$88.24
4x4x24	I-2-44JT	10	\$110.22
4x4x36	I-3-44JT	16	\$134.50
4x4x48	I-4-44JT	20	\$156.72
6x6x12	I-1-66JT	9	\$101.28
6x6x24	I-2-66JT	16	\$139.16
6x6x36	I-3-66JT	23	\$169.30
6x6x48	I-4-66JT	29	\$200.42
6x6x60	I-5-66JT	32	\$236.24
6x6x72	I-6-66JT	43	\$271.38
8x8x24	I-2-88JT	23	\$165.90
8x8x36	I-3-88JT	32	\$207.94
8x8x48	I-4-88JT	40	\$252.96
8x8x60	I-5-88JT	49	\$300.64
8x8x72	I-6-88JT	58	\$343.04
10x10x48	I-4-1010JT	48	\$310.40
10x10x60	I-5-1010JT	59	\$359.30
10x10x72	I-6-1010JT	70	\$417.14
12x12x24	I-2-1212JT	34	\$226.50
12x12x36	I-3-1212JT	49	\$285.96
12x12x48	I-4-1212JT	60	\$360.00
12x12x60	I-5-1212JT	73	\$430.20
12x12x72	I-6-1212JT	86	\$496.00
12x12x96	I-8-1212JT	99	\$570.00

# TYPE 12 HINGE COVER WIRING TROUGH



COMPLETE DETAILS AVAILABLE ON OUR WEB SITE

# TYPE 12 PUSHBUTTON ENCLOSURES



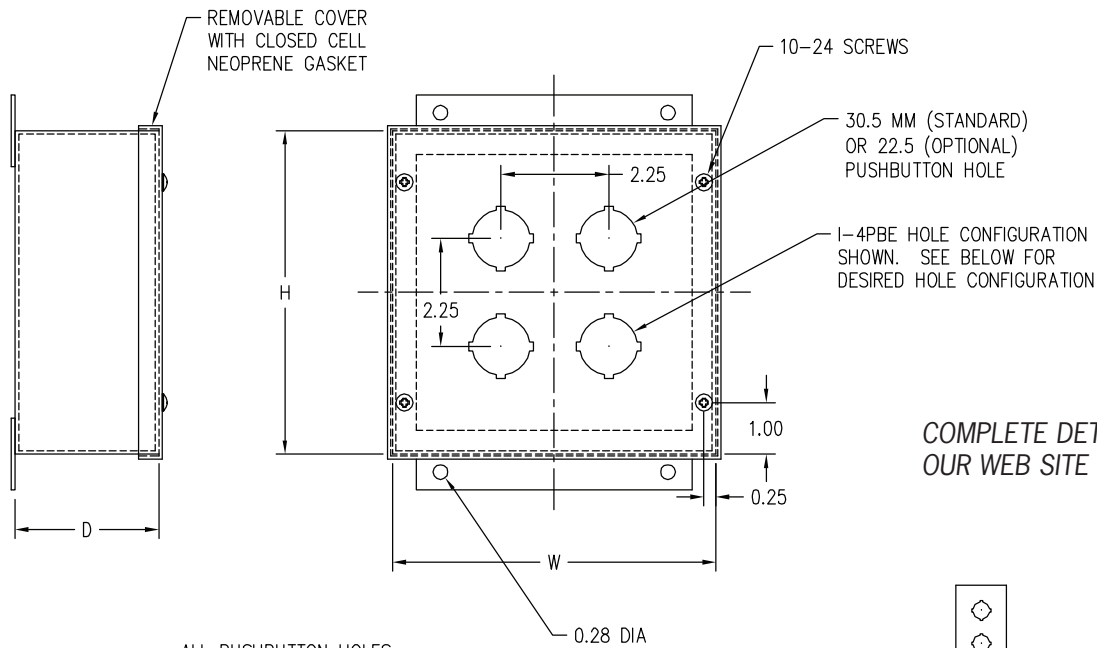
**Construction:** C & I Enclosures Type 12 Pushbutton Enclosures are fabricated in accordance with UL specifications from code gauge steel. An oil resistant gasket is attached to the cover to prevent dust intrusion. All seams are continuously welded and ground smooth.

**Finish:** C & I Enclosures Type 12 Pushbutton Enclosures are provided with an ANSI 61 gray polyester powdercoating inside and out over paint grip galvanized steel.

**Note:** For small diameter pushbutton hole change suffix to **PBEM**.

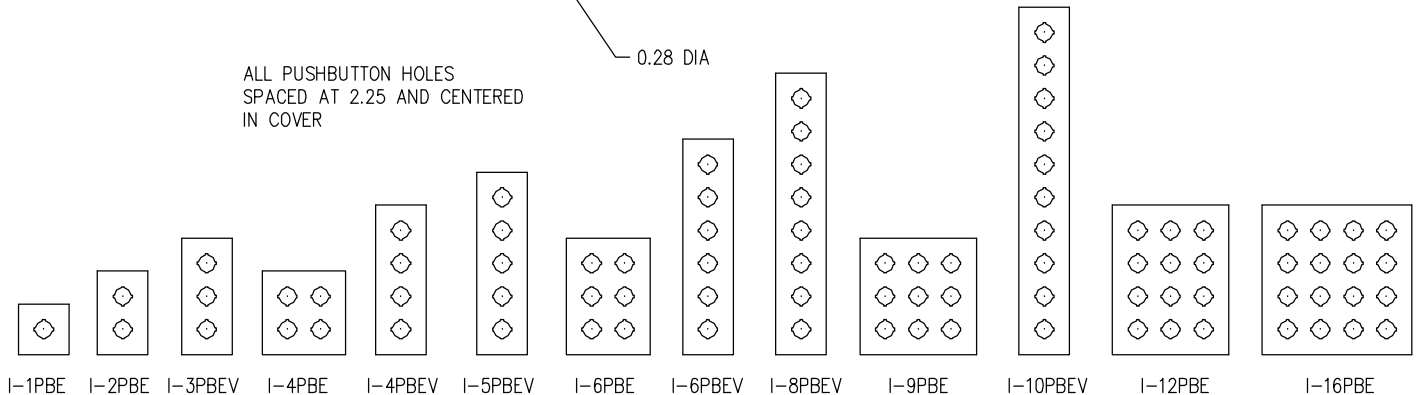
Please see our website for complete details

Enclosure Size HxWxD	Catalog Number	Weight	List Price
3.5x3.5x3	I-1PBE	2	\$39.52
6.75x3.5x3	I-2PBE	2	\$45.20
9x3.5x3	I-3PBE	3	\$50.90
6.75x6.75x3	I-4PBE	4	\$61.72
11.25x3.5x3	I-4PBEV	4	\$56.62
13.5x3.5x3	I-5PBE	5	\$61.74
9x6.75x3	I-6PBE	5	\$70.42
15.75x3.5x3	I-6PBEV	6	\$67.98
21.25x3.5x3	I-8PBEV	8	\$82.00
9x9x3	I-9PBE	7	\$82.52
25.75x3.5x3	I-10PBEV	8	\$92.60
11.25x9x3	I-12PBE	8	\$93.46
11.25x11.25x3	I-16PBE	9	\$106.88



COMPLETE DETAILS AVAILABLE ON OUR WEB SITE

ALL PUSHBUTTON HOLES SPACED AT 2.25 AND CENTERED IN COVER



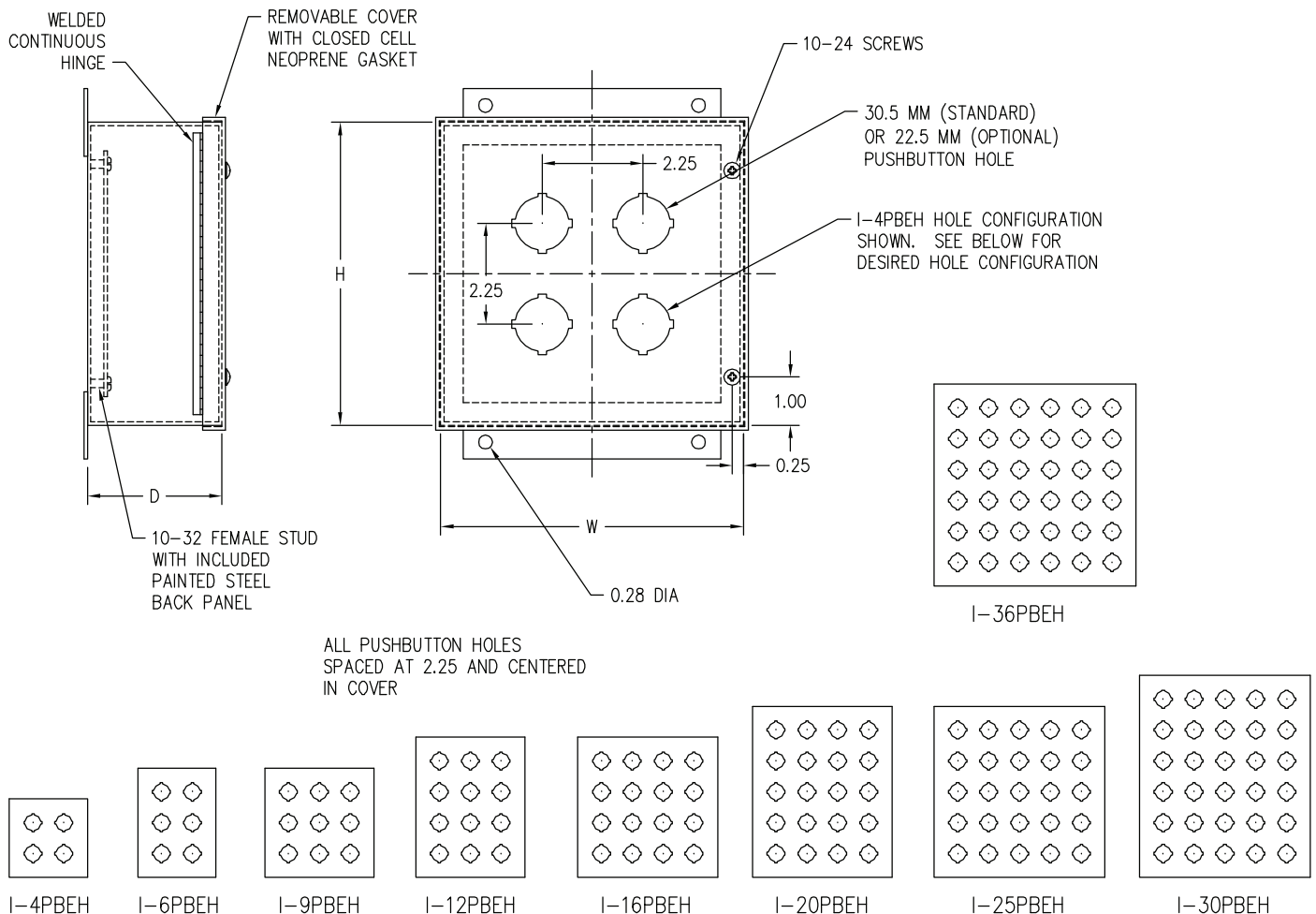
# TYPE 12 EXTRA LARGE HINGE COVER PUSHBUTTON ENCLOSURE

**Construction:** C & I Enclosures Type 12 Extra Large Pushbutton Enclosures are fabricated in accordance with UL specifications from code gauge steel. An oil resistant gasket is attached to the cover to prevent dust intrusion. All seams are continuously welded and ground smooth. The enclosures are furnished with a removable painted back panel.

**Finish:** C & I Enclosures Type 12 Extra Large Pushbutton Enclosures are provided with an ANSI 61 gray polyester powdercoating inside and out over paint grip galvanized steel.

**Note:** For small diameter pushbutton hole change suffix to **PBEHM**.

Enclosure Size HxWxD	Catalog Number	Weight	List Price
8.5x7.5x6	I-4PBEH	9	\$102.00
9x6.75x6.25	I-6PBEH	10	\$113.16
9x9x6.25	I-9PBEH	11	\$131.96
11.25x9x6.25	I-12PBEH	15	\$150.46
11.25x11.25x6.25	I-16PBEH	17	\$173.14
13.5x11.25x6.25	I-20PBEH	18	\$195.60
13.5x13.5x6.25	I-25PBEH	21	\$222.02
15.75x13.5x6.25	I-30PBEH	22	\$237.08
15.75x15.75x6.25	I-36PBEH	26	\$269.94



COMPLETE DETAILS AVAILABLE ON OUR WEB SITE

# TYPE 12 SLIM-LINE PUSHBUTTON ENCLOSURES

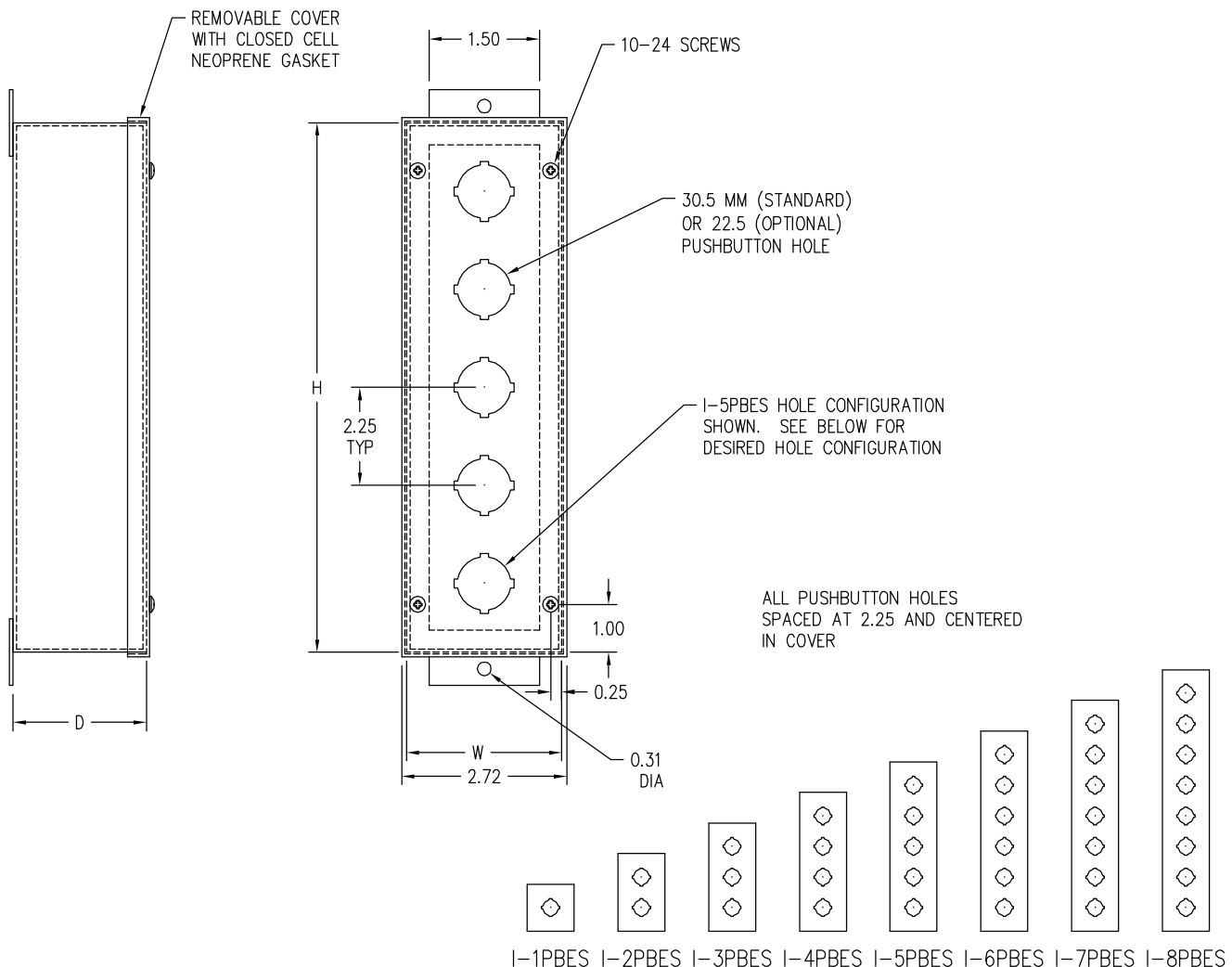


**Construction:** C & I Enclosures Type 12 Slim-Line Pushbutton Enclosures are fabricated in accordance with UL specifications from code gauge steel. An oil resistant gasket is attached to the cover to prevent dust intrusion. All seams are continuously welded and ground smooth.

**Finish:** C & I Enclosures Type 12 Slim-Line Pushbutton Enclosures are provided with an ANSI 61 gray polyester powdercoating inside and out over paint grip galvanized steel.

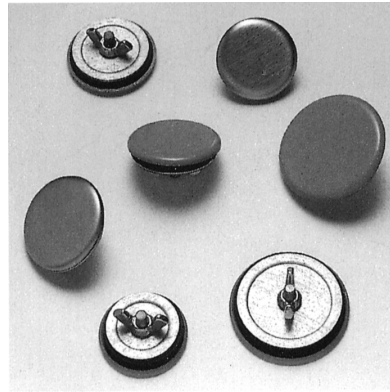
**Note:** For small diameter pushbutton hole change suffix to **PBESM**.

Enclosure Size HxWxD	Catalog Number	Weight	List Price
3.88x2.5x2.38	I-1PBES	1	\$44.22
6.13x2.5x2.38	I-2PBES	2	\$48.62
8.38x2.5x2.38	I-3PBES	2	\$55.90
10.63x2.5x2.38	I-4PBES	3	\$58.86
12.88x2.5x2.38	I-5PBES	3	\$64.98
15.13x2.5x2.38	I-6PBES	4	\$72.42
18.38x2.5x2.38	I-7PBES	4	\$79.16
20.63x2.5x2.38	I-8PBES	8	\$87.38



COMPLETE DETAILS AVAILABLE ON OUR WEB SITE

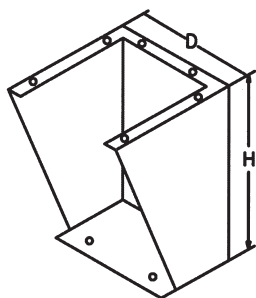
## OILTIGHT HOLE SEALS



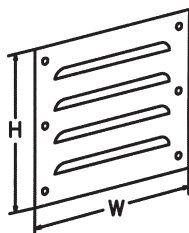
Hole Seals

Catalog Number	Description	List Price
<b>Painted Hole Seals</b>		
CHHS50	1/2" Conduit Hole Seal	\$4.00
CHHS75	3/4" Conduit Hole Seal	\$5.02
CHHS100	1" Conduit Hole Seal	\$7.18
CHHS125	1 1/4" Conduit Hole Seal	\$7.78
CHHS150	1 1/2" Conduit Hole Seal	\$8.96
CHHS200	2" Conduit Hole Seal	\$9.98
CHHS250	2 1/2" Conduit Hole Seal	\$12.70
CHHS300	3" Conduit Hole Seal	\$16.96
CHHS350	3 1/2" Conduit Hole Seal	\$21.96
CHHS400	4" Conduit Hole Seal	\$27.04
CHMHS	Mini Pushbutton Hole Seal	\$5.30
CHPBHS	Standard Pushbutton Hole Seal	\$6.78
<b>Stainless Steel Hole Seals</b>		
CHHS50S	SS 1/2" Conduit Hole Seal	\$10.50
CHHS75S	SS 3/4" Conduit Hole Seal	\$13.16
CHHS100S	SS 1" Conduit Hole Seal	\$17.74
CHHS125S	SS 1 1/4" Conduit Hole Seal	\$20.52
CHHS150S	SS 1 1/2" Conduit Hole Seal	\$23.00
CHHS200S	SS 2" Conduit Hole Seal	\$25.00
CHHS250S	SS 2 1/2" Conduit Hole Seal	\$34.02
CHHS300S	SS 3" Conduit Hole Seal	\$45.08
CHHS350S	SS 3 1/2" Conduit Hole Seal	\$57.92
CHHS400S	SS 4" Conduit Hole Seal	\$75.06
CHMHSS	SS Mini Pushbutton Hole Seal	\$16.68
CHPBHSS	SS Standard Pushbutton Hole Seal	\$17.68

# ACCESSORIES



FLOORSTAND KIT



LOUVER KIT



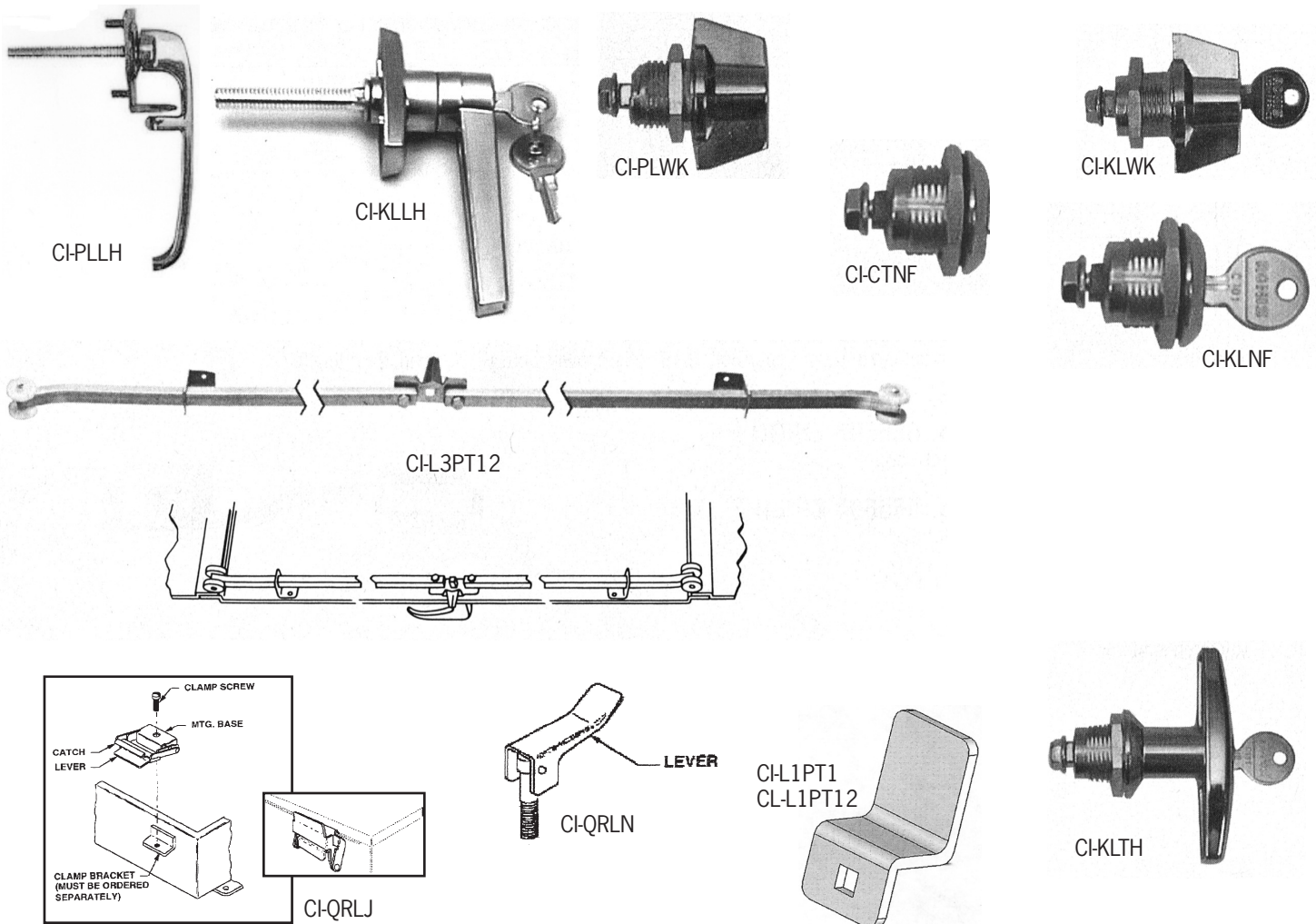
DRIPSHIELD KIT

Catalog Number	Description	List Price
<b>Floorstand Kits</b>		
CI-6FSK8	6Hx8D Floor Stand Kit	\$89.96
CI-6FSK10	6Hx10D Floor Stand Kit	\$99.04
CI-6FSK12	6Hx12D Floor Stand Kit	\$113.70
CI-12FSK8	12Hx8D Floor Stand Kit	\$118.42
CI-12FSK10	12Hx10D Floor Stand Kit	\$118.00
CI-12FSK12	12Hx12D Floor Stand Kit	\$136.42
CI-12FSK16	12Hx16D Floor Stand Kit	\$154.28
CI-12FSK20	12Hx20D Floor Stand Kit	\$173.84
CI-18FSK8	18Hx8D Floor Stand Kit	\$144.28
CI-18FSK10	18Hx10D Floor Stand Kit	\$153.18
CI-18FSK12	18Hx12D Floor Stand Kit	\$162.42
CI-18FSK16	18Hx16D Floor Stand Kit	\$180.24
CI-24FSK8	24Hx8D Floor Stand Kit	\$169.72
CI-24FSK10	24Hx10D Floor Stand Kit	\$179.16
CI-24FSK12	24Hx12D Floor Stand Kit	\$189.24
CI-24FSK16	24Hx16D Floor Stand Kit	\$210.00
<b>Dripshield Kits</b>		
CI-DK12	12" Dripshield Kit	\$34.22
CI-DK16	16" Dripshield Kit	\$37.82
CI-DK20	20" Dripshield Kit	\$42.00
CI-DK24	24" Dripshield Kit	\$44.22
CI-DK30	30" Dripshield Kit	\$50.00
CI-DK36	36" Dripshield Kit	\$53.78
CI-DK42	42" Dripshield Kit	\$59.08
CI-DK48	48" Dripshield Kit	\$64.42
CI-DK60	60" Dripshield Kit	\$75.30
CI-DK72	72" Dripshield Kit	\$84.32
<b>Louver Kits</b>		
CI-44LK	4x4 Louver Kit	\$16.70
CI-46LK	4x6 Louver Kit	\$19.50

COMPLETE DETAILS AVAILABLE ON OUR WEB SITE

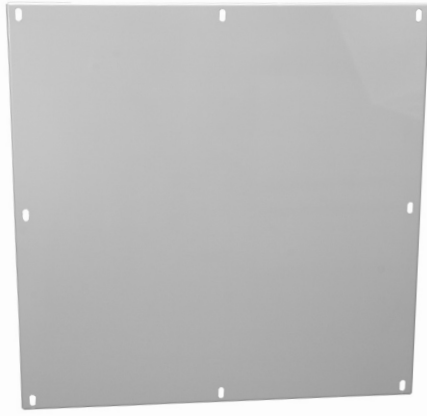


# LOCKS & HANDLES



Catalog Number	Description	List Price
CI-KLLH	L-Handle Keylocking	\$63.70
CI-PLLH	L-Handle Padlocking	\$63.72
CI-KLTH	T Handle Keylocking	\$39.30
CI-KLWK	Wing Knob Keylocking	\$23.96
CI-PLWK	Wing Knob Padlocking	\$31.92
CI-KLNF	Nearly Flush Keylocking Latch	\$26.04
CI-CTNF	Nearly Flush Coin-Turn Latch	\$9.92
CI-QRLJ	JIC Quick Release Latch	\$19.40
CI-QRLN	Fast Operating Door Clamp	\$19.40
CHL3PT12	3-Point Latch	\$54.40
CHL1PT1	Single-Point Latch	\$3.06
CHL1PT12	Single-Point Latch	\$3.06

## PANELS FOR TYPE 3R, 4, 4X AND 12 ENCLOSURES



**CI-P**

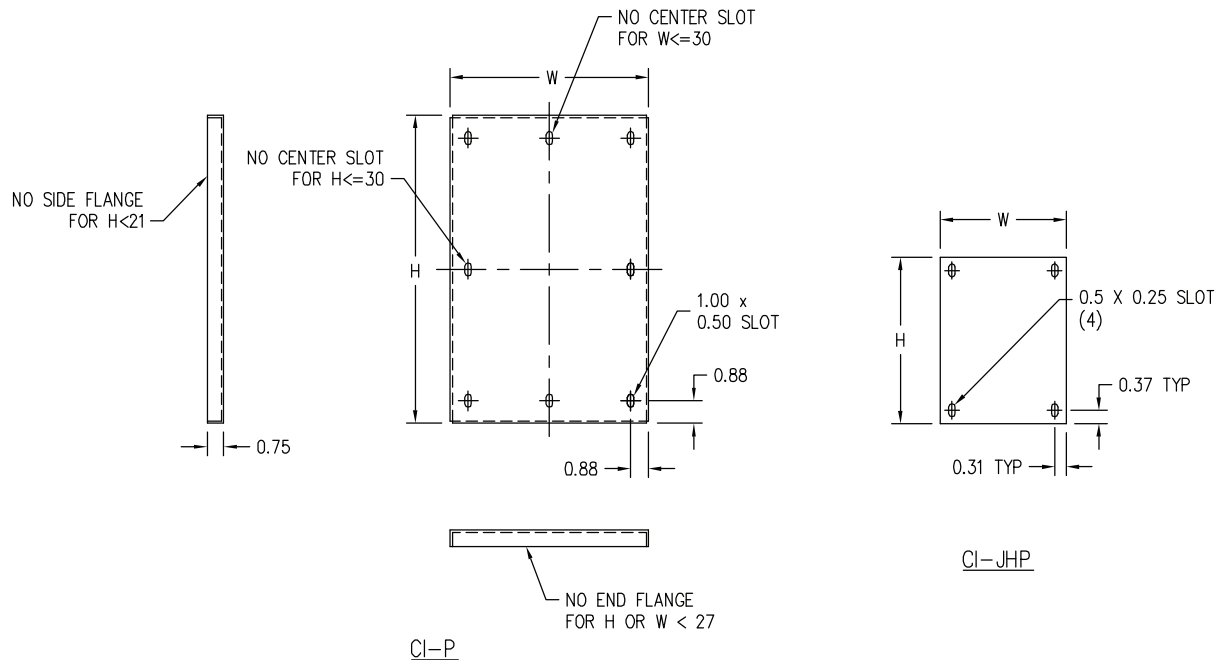


**CI-JHP**

Panel Size H x W	Catalog Number	Weight	List Price
<b>Painted Panels</b>			
4.88 x 2.88	CI-64JHP	0.5	\$2.98
4.88 x 4.88	CI-66JHP	0.5	\$3.56
6.88 x 4.88	CI-86JHP	1	\$4.02
6.88 x 6.88	CI-88JHP	1	\$4.72
8.88 x 6.88	CI-108JHP	1.5	\$5.58
8.88 x 8.88	CI-1010JHP	2	\$6.42
10.88 x 4.88	CI-126JHP	1.5	\$5.20
10.88 x 8.88	CI-1210JHP	2	\$7.56
10.88 x 10.88	CI-1212JHP	3	\$8.70
12.88 x 10.88	CI-1412JHP	3	\$10.24
14.88 x 12.88	CI-1614JHP	5	\$13.42
13 x 9	CI-1612P	4	\$19.50
13 x 13	CI-1616P	5	\$24.00
17 x 13	CI-2016P	6	\$28.50
17 x 17	CI-2020P	7	\$34.42
21 x 9	CI-2412P	5	\$28.72
21 x 13	CI-2416P	7	\$33.50
21 x 17	CI-2420P	13	\$44.96
21 x 21	CI-2424P	15	\$50.22
27 x 17	CI-3020P	14	\$52.64
27 x 21	CI-3024P	16	\$63.04
27 x 27	CI-3030P	28	\$77.50
33 x 21	CI-3624P	24	\$75.98
33 x 27	CI-3630P	30	\$99.16
33 x 33	CI-3636P	37	\$116.02
39 x 21	CI-4224P	28	\$86.58
39 x 27	CI-4230P	35	\$112.42
39 x 33	CI-4236P	43	\$130.00
45 x 21	CI-4824P	32	\$95.04
45 x 27	CI-4830P	40	\$127.26
45 x 33	CI-4836P	49	\$152.47
57 x 27	CI-6030P	43	\$166.48
57 x 33	CI-6036P	61	\$185.88
<b>Stainless Steel Panels</b>			
4.88 x 4.88	CI-66JHPS	0.5	\$12.50
6.88 x 4.88	CI-86JHPS	1	\$14.70
6.88 x 6.88	CI-88JHPS	1	\$17.18
8.88 x 6.88	CI-108JHPS	1.5	\$20.90
10.88 x 8.88	CI-1210JHPS	2	\$30.00
10.88 x 10.88	CI-1212JHPS	3	\$35.90
12.88 x 10.88	CI-1412JHPS	3	\$41.16
14.88 x 12.88	CI-1614JHPS	5	\$53.78
13 x 9	CI-1612PS	4	\$61.16
13 x 13	CI-1616PS	5	\$77.50
17 x 13	CI-2016PS	6	\$90.40

# PANELS FOR TYPE 3R, 4, 4X AND 12 ENCLOSURES

Panel Size H x W	Catalog Number	Weight	List Price
17 x 17	CI-2020PS	7	\$113.88
21 x 17	CI-2420PS	13	\$145.36
21 x 21	CI-2424PS	15	\$179.96
27 x 17	CI-3020PS	14	\$177.08
27 x 21	CI-3024PS	16	\$217.16
33 x 21	CI-3624PS	24	\$251.30
33 x 27	CI-3630PS	30	\$342.70
45 x 33	CI-4836PS	49	\$508.00
57 x 33	CI-6036PS	61	\$630.62
<b>Aluminum Panels</b>			
4.88 x 4.88	CI-66JHPA	0.5	\$10.00
6.88 x 4.88	CI-86JHPA	0.5	\$11.50
6.88 x 6.88	CI-88JHPA	0.5	\$13.18
8.88 x 6.88	CI-108JHPA	1	\$15.16
10.88 x 8.88	CI-1210JHPA	1	\$20.90
10.88 x 10.88	CI-1212JHPA	1	\$24.00
12.88 x 10.88	CI-1412JHPA	1	\$27.72
14.88 x 12.88	CI-1614JHPA	2	\$35.16
13 x 9	CI-1612PA	1	\$28.72
13 x 13	CI-1616PA	2	\$39.02
17 x 13	CI-2016PA	3	\$43.36
17 x 17	CI-2020PA	4	\$53.02
21 x 17	CI-2420PA	5	\$88.00
21 x 21	CI-2424PA	6	\$102.22
27 x 17	CI-3020PA	7	\$118.50
27 x 21	CI-3024PA	7	\$123.00
33 x 21	CI-3624PA	9	\$145.12
33 x 27	CI-3630PA	11	\$174.04
45 x 33	CI-4836PA	19	\$274.50
57 x 33	CI-6036PA	24	\$345.96



COMPLETE DETAILS AVAILABLE ON OUR WEB SITE

# UTILITY ENCLOSURES

Enclosure Size H x W x D	Catalog Number
	<b>Florida Power &amp; Light/Progress Energy</b>
34x32x12	C-343212FPLHC
46x30x14.50	C-463014.50FPLHC
	<b>Duke Power</b>
24x32x12	C-243212RB-DP
24x32x12	C-243212RBP-DP
40x40x14	C-404014WDRH-DP
	<b>PECO</b>
	<b>Indoor Enclosures</b>
18x24x10	C-182410DCT-PECO
24x32x10	C-243210DCT-PECO
32x32x10	C-323210DCT-PECO
32x42x10	C-324210DCT-PECO
42x54x12	C-425412DCT-PECO
	<b>Outdoor Enclosures</b>
28x18x15	C-281815WD3R-PECO
35x30x15	C-353014WD3R-PECO
35x40x15	C-354015WD3R-PECO
42x32x15	C-423215WD3R-PECO
42x54x15	C-425415WD3R-PECO
	<b>Louisville Gas &amp; Electric</b>
	<b>With Plywood Panel</b>
30x30x12	C-303012DCTRHLGE
36x36x12	C-363612DCTRHLGE
48x48x14	C-484814DCTRHLGE
	<b>No Studs, No Panel</b>
30x30x12	C-303012DCTRHLGE-NS
36x36x12	C-363612DCTRHLGE-NS
48x48x14	C-484814DCTRHLGE-NS

**Construction:** All enclosures are fabricated per utility specifications.

**CALL FACTORY FOR PRICING**



**ON TIME . . . EVERY TIME**



**Made in the USA**

913 Industrial Park Circle  
Bessemer, Alabama 35022  
Telephone: (205) 424-4855  
Toll Free Fax: (866) 460-2425  
[www.cienclosures.com](http://www.cienclosures.com)